

# OTS Trench insert floor convector



## Features

### Color

- Standard: semi-gloss black.
- Optional (upcharge applicable): white, almond, metallic silver, bronze, metallic charcoal, aluminum, sand.
- Custom colors available upon request.

### Finish

- Standard: epoxy/polyester powder paint.

### Voltage

- 120V, 208V, 240/208V, 277V, 347V, 480V, 600V, 1-phase.

### Construction

- Sturdy construction of 20-gauge steel.
- Linear high-limit temperature control with automatic reset.
- Linear high-limit temperature control with manual reset.

### Heating element

- Stainless steel tubular heating element with aluminum fins.
- Floating heating element on high-temperature nylon bushings reducing expansion noises.

### Watt density

- Average standard watt density of 250W/ft.
- Average low density of 200W/ft., 167W/ft.

### Control

- Mechanical or electronic relays available (installed on the right end only).

*Ouellet highly recommends using an electronic wall thermostat for greater comfort.*

### Installation

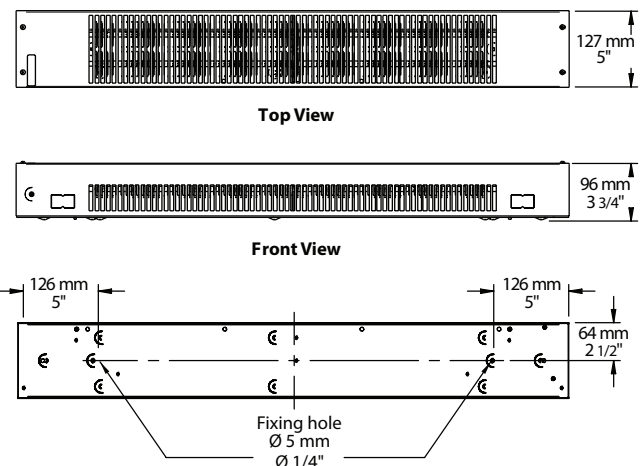
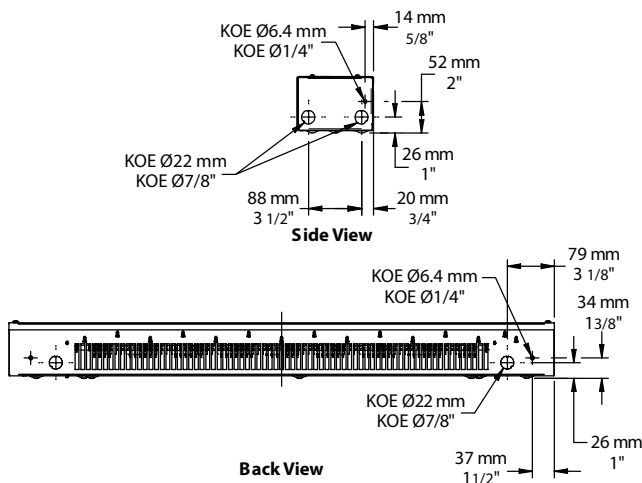
- Must be installed inside a trench under a floor with a compatible top trench grille (not supplied), which must cover the entire length of the heater. Please refer to the table of Models of compatible top trench grilles.
- 2 fixing holes in the bottom of the heater.

### Warranty

- 3-year warranty against defects.
- 10-year warranty on the heating element.

### Application

- Bay window, lobby, commercial building, condos, restaurants.



Standard Watt Density Models 250W/ft.

Watts	# Product					Watts 240/208V	# Product 240/208V	Price	Length		Weight	
	120V	208V	277V	347V	600V				in.	mm	lb	kg
750	OTS0752	OTS0758	OTS0777	-	-	750/563	OTS0750	374.00	36	915	8.4	3.8
1000	-	OTS1008	OTS1077	OTS1007	OTS1006	1000/750	OTS1000	405.00	48	1220	10.8	4.9
1250	-	OTS1258	OTS1277	OTS1257	OTS1256	1250/938	OTS1250	428.00	60	1525	13.2	6.0

Low Watt Density Models

# Product <sup>1</sup>	Price	Length	Weight	Average Density W/ft.	Watts	Watts 240/208V	120V	208V	240/208V	347V	600V
OTS050X-915	374.00	36"	8.4 lb	167	500	500/375				-	-
OTS060X-915		(915 mm)	(3.8 kg)	200	600	600/450				-	-
OTS066X-1220	405.00	48"	10.8 lb	167	668	668/502					
OTS080X-1220		(1220 mm)	(4.9 kg)	200	800	800/600					
OTS083X-1525	428.00	60"	13.2 lb	167	835	835/627					
OTS100X-1525		(1525 mm)	(6 kg)	200	1000	1000/750	-				

<sup>1</sup> X = 2 (120V), 8 (208V), 0 (240/208V), 7 (347V), 6 (600V).

= Available.

Add «NL» for semi-gloss black. Upcharge applicable for optional colors shown in the color chart section. Other voltages available upon request.

Options

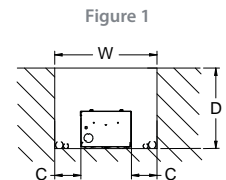
# Product Kit	# Product Factory installed*	Price	Description
KIT-OTS-DIS20	DIS20	147.00	Disconnect switch, 20A at 277V max.
KIT-OTS-DIS40	-	181.00	Disconnect switch, 40A at 600V max. 120 mm height
KIT-OTS-R-347 <sup>1</sup>	R <sup>1</sup>	230.00	Single-pole relay, coil 24V, without transformer: 22A at 120V, 208V, 240V - 19A at 277V - 18A at 347V
KIT-OTS-R-600 <sup>1</sup>	R <sup>1</sup>	230.00	Single-pole relay, coil 24V, without transformer: 10A at 480V, 600V
KIT-OTS-RT-208 <sup>1</sup>	RT <sup>1</sup>	242.00	Single-pole relay, coil 24V, with transformer 208V/24V, 22A at 208V
KIT-OTS-RT-240 <sup>1</sup>	RT <sup>1</sup>	242.00	Single-pole relay, coil 24V, with transformer 240V/24V, 22A at 240V
KIT-OTS-RT-277 <sup>1</sup>	RT <sup>1</sup>	242.00	Single-pole relay, coil 24V, with transformer 277V/24V, 19A at 277V
KIT-OTS-RT-347 <sup>1</sup>	RT <sup>1</sup>	242.00	Single-pole relay, coil 24V, with transformer 347V/24V, 18A at 347V
KIT-OTS-TRIAC-347 <sup>1</sup>	TRIAC <sup>1</sup>	92.00	Single-pole electronic relay, coil 24V, without transformer: 10A max. at 347V max.
KIT-OTS-TRIAC-347T <sup>1</sup>	TRIACT <sup>1</sup>	134.00	Single-pole electronic relay, coil 24V, with transformer: 10A max. at 347V max.
KIT-OTS-TRIAC-600 <sup>1</sup>	TRIAC <sup>1</sup>	179.00	Single-pole electronic relay, coil 24V, without transformer: 6A at 600V max.

\* For factory installed options, add the option number to the product number. See the **Product Code** section inside the front cover.

<sup>1</sup> Options installed at right end only.

Models of compatible top trench grilles

Manufacturer	Grille Model	Trench dimension - Figure 1					
		Power per linear foot			Power per linear foot		
		167W/ft.	200W/ft.	250W/ft.	167W/ft.	200W/ft.	250W/ft.
Nailor Industries www.nailor.com	49-240	-	-	-	-	-	-
	49-241	-	-	-	-	-	-
	49-243	-	-	-	-	-	-
	49-280	-	-	-	-	-	-
	49-281	-	-	-	-	-	-
Price Industries www.priceindustries.com	LBP/LBPH 15B	-	-	-	-	-	-
	LBP/LBPH 16B	-	-	-	-	-	-
	LBP/LBPH 25C	-	-	-	-	-	-



NOTE: Vanes or deflectors options with grille are prohibited.