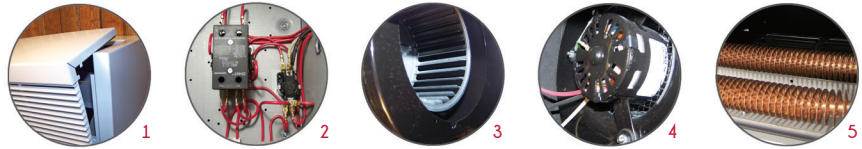


# OCA Cabinet Unit Heater



## Features

### Color

- Standard: white, almond.
- Optional (upcharge applicable): metallic silver, bronze, metallic charcoal, aluminum, semi-gloss black, sand.
- Custom colors available upon request.

### Finish

- Standard: epoxy/polyester powder paint.

### Voltage

- 208V, 240V, 277V, 347V, 480V, 600V, 1 or 3-phase.

### Construction

- 18-gauge steel.
- Insulated casing for noise reduction.
- Extruded aluminum bar grilles prevent insertion of foreign objects. **1**
- Field adaptable air inlet and outlet. **1**
- High-limit temperature control with automatic reset.
- 240/208V control circuit included. **2**
- Optional fresh air inlet damper.
- Optional air filters.

### Fan

- Direct drive, variable speed squirrel-cage fan. **3**
- Fan delay.

- 240/208V factory-lubricated motor (1/15 HP). **4**
- 2 speed-motor available (1600/1500 rpm).

### Heating element

- Durable tubular heating element with fins. **5**

### Length

- Four cabinet lengths are available: 28 in. (711 mm), 48 in. (1219 mm), 66 in. (1676 mm), 80 in. (2032 mm).

### Control

- Wide range of control available.

*Ouellet highly recommends the use of a wall thermostat for greater comfort.*

### Installation

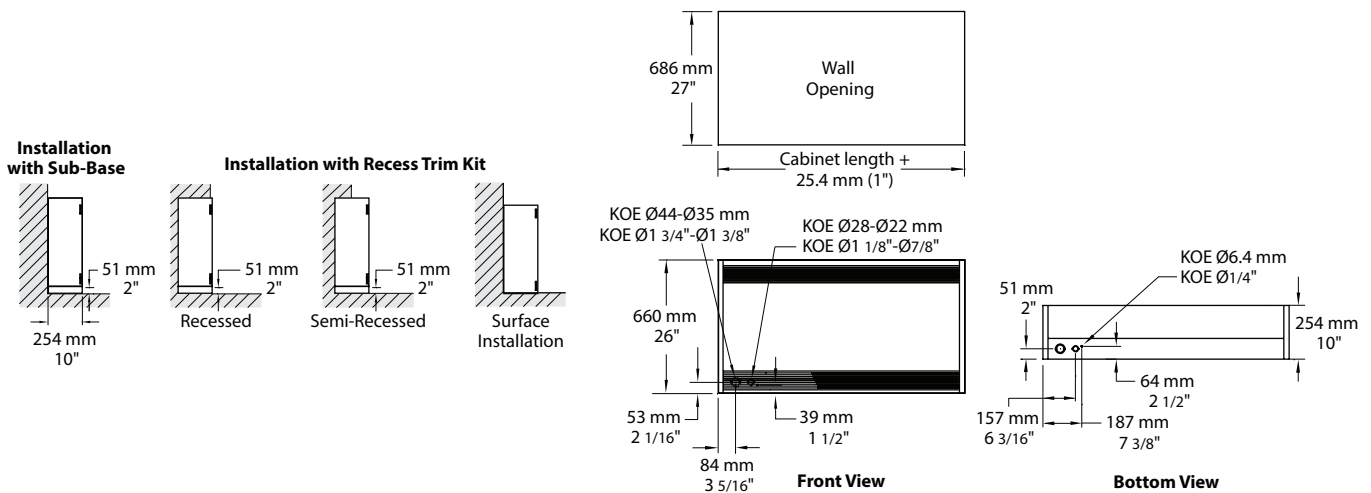
- Multi-position mounting (surface, semi-recessed, recessed).
- Maximum recommended installation height: 10 ft. (3 m).
- Recess trim kit available for recessed or semi-recessed units.
- Sub-base and special back plate available.

### Warranty

- 3-year warranty against defects.

### Application

- Hallway, entry way, exhibition center.



# OCA

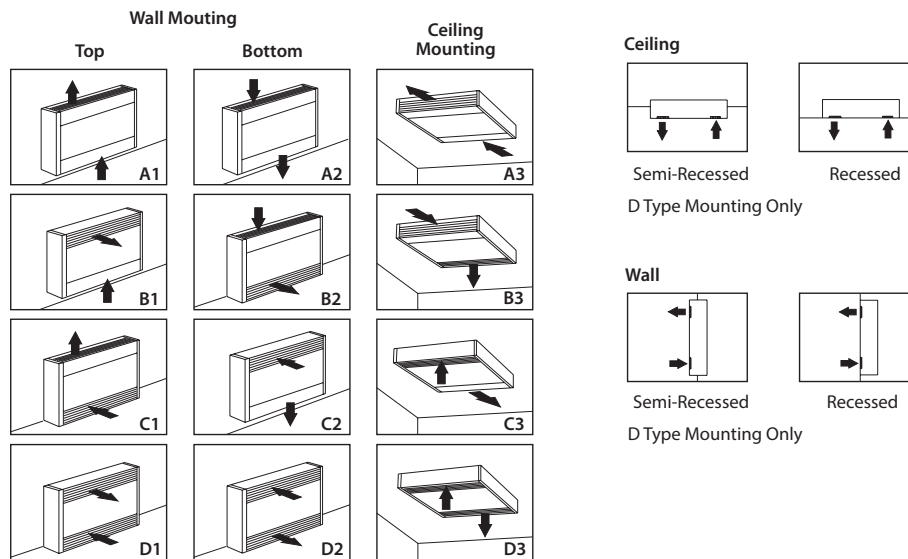
## Models

Watts		Product #						Prix	cfm		BTU/hr		Length		Weight	
Hi	Lo	208V (3 ph)	240V (1 ph)	240V (3 ph)	347V (1 ph)	480V (3 ph)	600V (3 ph)		Hi	Lo	Hi	Lo	in.	mm	lb	kg
2000	1333	OCA02038 <sup>1</sup>	OCA02000	OCA02030	OCA02007	OCA02034 <sup>1</sup>	OCA02036 <sup>1</sup>	4254.00	250	200	6830	4552	28	711	115.0	52.3
3000	1000	OCA03038 <sup>1</sup>	OCA03000	OCA03030	OCA03007	OCA03034 <sup>1</sup>	OCA03036 <sup>1</sup>	4503.00	250	200	10246	3415	28	711	115.0	52.3
4000	2667	OCA04038 <sup>1</sup>	OCA04000	OCA04030	OCA04007	OCA04034 <sup>1</sup>	OCA04036 <sup>1</sup>	4684.00	250	200	13661	9108	28	711	115.0	52.3
5000	3333	OCA05038 <sup>1</sup>	OCA05000	OCA05030	OCA05007	OCA05034 <sup>1</sup>	OCA05036 <sup>1</sup>	5073.00	250	200	17076	11383	28	711	115.0	52.3
6000	4000	OCA06038 <sup>1</sup>	OCA06000	OCA06030	OCA06007	OCA06034 <sup>1</sup>	OCA06036 <sup>1</sup>	5124.00	250	200	20491	13661	28	711	115.0	52.3
8000	4000	OCA08038 <sup>1</sup>	OCA08000	OCA08030	OCA08007	OCA08034 <sup>1</sup>	OCA08036 <sup>1</sup>	5686.00	500	400	27321	13661	48	1219	146.0	66.4
10000	5000	OCA10038 <sup>1</sup>	OCA10000	OCA10030	OCA10007	OCA10034 <sup>1</sup>	OCA10036 <sup>1</sup>	6004.00	500	400	34152	17076	48	1219	146.0	66.4
12000	6000	OCA12038 <sup>1</sup>	OCA12000	OCA12030	OCA12007	OCA12034 <sup>1</sup>	OCA12036 <sup>1</sup>	6270.00	500	400	40982	20491	48	1219	146.0	66.4
15000	10000	OCA15038 <sup>1</sup>	OCA15000	OCA15030	-	OCA15034 <sup>1</sup>	OCA15036 <sup>1</sup>	9976.00	750	600	51228	34152	66	1676	210.0	95.5
18000	12000	OCA18038 <sup>1</sup>	OCA18000	OCA18030	-	OCA18034 <sup>1</sup>	OCA18036 <sup>1</sup>	10349.00	750	600	61473	40982	66	1676	210.0	95.5
20000	10000	OCA20038 <sup>1</sup>	OCA20000	OCA20030	-	OCA20034 <sup>1</sup>	OCA20036 <sup>1</sup>	10884.00	1000	800	68304	34152	80	2032	240.0	109.1
24000	12000	OCA24038 <sup>1</sup>	OCA24000	OCA24030	-	OCA24034 <sup>1</sup>	OCA24036 <sup>1</sup>	11026.00	1000	800	81964	40982	80	2032	240.0	109.1

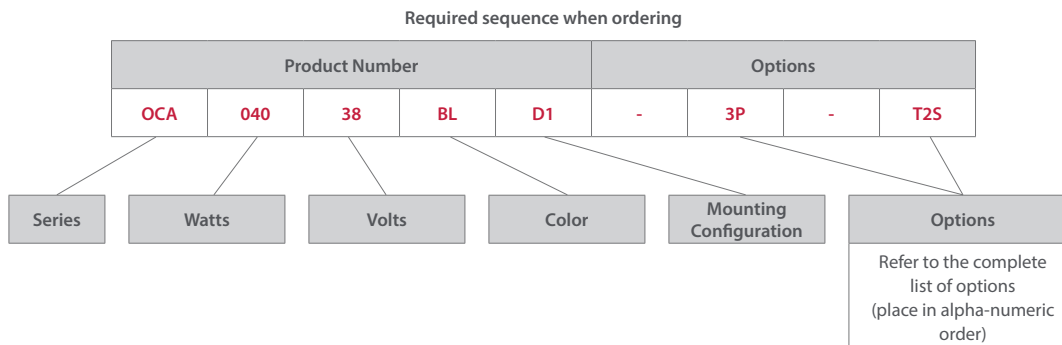
<sup>1</sup> 1-phase available upon request (change the "3" for an "0" to the product number).  
 Add "BL" for white, "AM" for almond. Upcharge available for optional colors shown in the color chart section.  
 277V available upon request.

## Mounting configuration

Please specify mounting configuration. If not mentioned on the order, D1 will be used as our standard.



## Codification example



# OCA

## Options

Product # Kit	Product # Factory installed*	Price	Description
-	120	189.00	120V control circuit
-	3P	95.00	Triple-pole contactor
-	AF <sup>1</sup>	671.00	Fresh air inlet
-	AFM <sup>1</sup>	935.00	Power-operated fresh air inlet
-	DIS40 <sup>4</sup>	225.00	Disconnect switch, 40A
-	DIS80 <sup>4</sup>	269.00	Disconnect switch, 80A
-	HL <sup>2</sup>	346.00	Hi/Lo power switch
KIT-OCA-IV	IV	311.00	On/Auto fan switch
KIT-OCA-OO	OO	187.00	On/Standby heating switch
KIT-OCA-R	R	195.00	24V control relay, without transformer
-	RHL <sup>3</sup>	346.00	24V Hi/Lo power relay, with transformer
-	ROO <sup>3</sup>	312.00	24V On/Standby heating relay, with transformer
KIT-OCA-RT	RT	218.00	24V control relay, with transformer
-	RV <sup>3</sup>	415.00	24V fan relay, with transformer
KIT-OCA-T-AV	TAV	163.00	Single-pole thermostat, tamperproof
-	T2S	242.00	2-stage thermostat, tamperproof
<b>Recess trim kit, 2 in. (51 mm)</b>			
KIT-OCA-CR-28	-	189.00	28 in. (711 mm) Models
KIT-OCA-CR-48	-	201.00	48 in. (1219 mm) Models
KIT-OCA-CR-66	-	225.00	66 in. (1676 mm) Models
KIT-OCA-CR-80	-	235.00	80 in. (2032 mm) Models
<b>Special back plate</b>			
KIT-OCA-DU-28	-	612.00	28 in. (711 mm) Models
KIT-OCA-DU-48	-	698.00	48 in. (1219 mm) Models
KIT-OCA-DU-66	-	791.00	66 in. (1676 mm) Models
KIT-OCA-DU-80	-	894.00	80 in. (2032 mm) Models
<b>Air filter, wall installation only</b>			
KIT-OCA-FI-28	FI	129.00	28 in. (711 mm) Models
KIT-OCA-FI-48	FI	147.00	48 in. (1219 mm) Models
KIT-OCA-FI-66	FI	161.00	66 in. (1676 mm) Models
KIT-OCA-FI-80	FI	175.00	80 in. (2032 mm) Models
<b>Washable air filter, wall installation only</b>			
KIT-OCA-FIW-28	FIW	221.00	28 in. (711 mm) Models
KIT-OCA-FIW-48	FIW	269.00	48 in. (1219 mm) Models
KIT-OCA-FIW-66	FIW	297.00	66 in. (1676 mm) Models
KIT-OCA-FIW-80	FIW	496.00	80 in. (2032 mm) Models
<b>Sub-base, 2 in. (51 mm)</b>			
KIT-OCA-SO-28	-	189.00	28 in. (711 mm) Models
KIT-OCA-SO-48	-	201.00	48 in. (1219 mm) Models
KIT-OCA-SO-66	-	225.00	66 in. (1676 mm) Models
KIT-OCA-SO-80	-	269.00	80 in. (2032 mm) Models

\* For factory installed options, add the option number to the product number. See the **Product Code** section inside the front cover.

<sup>1</sup> Do not install a built-in thermostat with these options.

<sup>2</sup> OCA06006, is not available with optional HL.

<sup>3</sup> When one of these options is ordered, the heater control will automatically be shipped at 24V.

<sup>4</sup> For the U.S. only: The nominal current of the unit must not exceed 80% of the capacity of the disconnect.