

ORA-C C Range Commercial Air Curtain



Features

Model

- Electric heat.
- No heat.

Color

- Standard: white.
- Custom colors available upon request (RAL Chart).

Voltage

- 208V, 240/208V, 480V, 600V, 60 Hz.

Construction

- Steel casing with resistant plastic end caps.
- Quick access to the internal components thanks to the front panel which facilitate maintenance and connection.
- High-limit temperature control with automatic reset.

Fan

- Tangential fans.

Heating element

- Element provides instant heat (electric model).

Control

- Ecopower control included (20 ft. (6 m) RJ9 control cable included).
- Door switch included.

- Compatible with a Building Management System (Bacnet MS/TP, Modbus RTU or dry contact).
- Personalize programming of the air curtain.

Installation

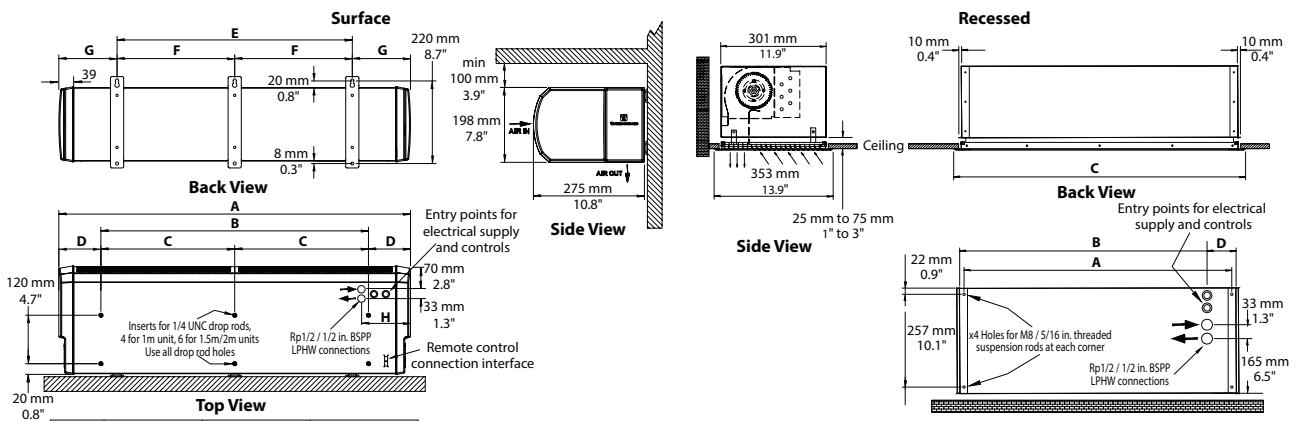
- Minimum height installation: 6 ft. (1.8 m).
- Maximum height installation:
 - Surface-mounted: 9.84 ft. (3 m) above the floor.
 - Recessed: 9 ft. (2.75 m) above the floor.
- Surface-mounted: brackets included.
- Ceiling hanging: fixings are included for 1/4 in. x 20 UNC threaded rods (rods not supplied).
- Recessed: hinged core grilles included for easy installation and maintenance.
- Joining kit, available in option, for connecting multiple surface mounted units.

Warranty

- 2-year warranty against defects.

Application

- Vestibule, commercial building, entrance way service door, hospital.



	C1000		C1500		C2000	
	mm	in.	mm	in.	mm	in.
A	1137	44.8	1669	65.7	2200	86.6
B	908	35.8	1408	55.4	1928	75.9
C	-	-	704	27.7	964	38.0
D	115	4.5	131	5.2	136	5.4
E	710	28.0	1208	47.6	1748	68.8
F	0	0	604	23.8	874	34.4
G	214	8.4	231	9.1	226	8.9
H	152	6	172	6.8	172	6.8

	C1000		C1500		C2000		
	mm	po	mm	po	mm	po	
A	1129	44.4	1529	60.2	2040	80.3	
B	1179	46.4	1579	62.2	2090	82.3	
C	1209	47.6	1609	63.3	2120	83.5	
Cut-Out in Ceiling	Length	1179	46.4	1579	62.2	2090	82.3
	Width	301	11.85	301	11.85	301	11.85

Models

Volts (ph)	Product # ¹	Price		kW Lo/Hi	Amp.	cfm	Max velocity (ft./min)	dBA at 3 m	Effective width of air stream		Weight	
		Standard Models	Custom Colors (RAL Chart) ¹						in.	mm	lb	kg
Surface-mounted												
Electric heat												
600 (3) + 208 ou 240 ²	C1000ESEC600V	6280.00	8887.00	4.5/9	9.3+0.5	740	1770	55.0	36	933	35	16
600 (3) + 208 ou 240 ²	C1500ESEC600V	7120.85	9872.00	6/12	12.8+0.7	1060	1770	55.0	56	1430	51	23
600 (3) + 208 ou 240 ²	C2000ESEC600V	11128.00	13958.00	9/18	18.6+1.0	1470	1770	56.0	78	1996	73	33
480 (3) + 208 ou 240 ²	C1000ESEC480V	5508.00	8118.00	4.5/9	10.9+0.5	740	1770	55.0	36	933	35	16
480 (3) + 208 ou 240 ²	C1500ESEC480V	7070.00	9822.00	6/12	14.5+0.7	1060	1770	55.0	56	1430	51	23
480 (3) + 208 ou 240 ²	C2000ESEC480V	9324.00	11932.00	9/18	21.7+1.0	1470	1770	56.0	78	1996	73	33
208 (3) ³	C1000ESEC208V	5240.00	7846.00	4.32/8.64	24.5	740	1770	55.0	36	933	35	16
208 (3) ³	C1500ESEC208V	5913.00	8522.00	5.77/11.53	32.7	1060	1770	55.0	56	1430	51	23
208 (3) ³	C2000ESEC208V	9532.00	12139.00	8.64/17.28	49.0	1470	1770	56.0	78	1996	73	33
No heat												
208/240 (1) ³	C1000ASEC208-230V	4881.00	7490.00	-	0.5	740	1770	55.0	36	933	33	15
208/240 (1) ³	C1500ASEC208-230V	5666.00	8274.00	-	0.7	1060	1770	55.0	56	1430	46	21
208/240 (1) ³	C2000ASEC208-230V	7211.00	9822.00	-	1	1470	1770	56.0	78	1996	68	31
Recessed												
Electric heat												
600 (3) + 208 ou 240 ²	C1000EREC600V	7153.00	9013.00	4.5/9	9.3+0.5	740	1770	55.0	45	1145	44	20
600 (3) + 208 ou 240 ²	C1500EREC600V	8331.00	10295.00	6/12	12.8+0.7	1060	1770	55.0	60	1545	60	27
600 (3) + 208 ou 240 ²	C2000EREC600V	11851.00	13918.00	9/18	18.6+1.0	1470	1770	56.0	80	2055	82	37
480 (3) + 208 ou 240 ²	C1000EREC480V	6244.00	8103.00	4.5/9	10.9+0.5	740	1770	55.0	45	1145	44	20
480 (3) + 208 ou 240 ²	C1500EREC480V	8086.00	10050.00	6/12	14.5+0.7	1060	1770	55.0	60	1545	51	23
480 (3) + 208 ou 240 ²	C2000EREC480V	10723.00	12792.00	9/18	21.7+1.0	1470	1770	56.0	80	2055	73	33
208 (3) ³	C1000EREC208V	7153.00	9013.00	4,32/8,64	24.5	740	1770	55.0	45	1145	44	20
208 (3) ³	C1500EREC208V	8331.00	10295.00	5,77/11,53	32.7	1060	1770	55.0	60	1545	60	27
208 (3) ³	C2000EREC208V	12379.00	14445.00	8,64/17,28	49.0	1470	1770	56.0	80	2055	82	37
No heat												
208/240 (1) ³	C1000AREC208V	5716.00	7576.00	-	0.5	740	1770	55.0	45	1145	42	19
208/240 (1) ³	C1500AREC208V	7042.00	9008.00	-	0.7	1060	1770	55.0	60	1545	55	25
208/240 (1) ³	C2000AREC208V	8761.00	10826.00	-	1	1470	1770	56.0	80	2055	77	35

¹ To order any custom colors from the R.A.L. chart, add "-SP" at the end of the Product # and specify RAL color # on the order. Contact our customer service department for lead times.

² IMPORTANT: 600V and 480V models need 2 power sources (E.g.: 600V+208V or 230V) or an external transformer (E.g.: 600V/240V).

The VA requirement varies between models: C1000 = 200VA, C1500 and C2000 = 350VA.

³ Maximum installation height when connected to 208V is 8.53 ft. (2.6 m).