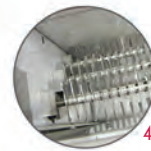
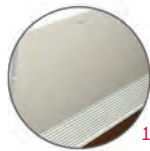


OLA OLI

High Density Architectural Cabinet Convectors

High Density Architectural Sloped Top Cabinet Convectors



Features

Color

- Standard: white, almond.
- Optional (upcharge applicable): metallic silver, bronze, metallic charcoal, aluminum, semi-gloss black, sand.
- Custom colors available upon request.

Finish

- Standard: epoxy/polyester powder paint.

Voltage

- 208V, 240V, 277V, 347V, 600V, 1 or 3-phase.

Construction

- 20-gauge steel cabinet.
- 16-gauge steel front cover. **1**
- Extruded aluminum bar grilles prevent insertion of foreign objects. **2**
- Clean back available (-BD).
- Linear high-limit temperature control with automatic reset. **3**

Heating element

- Three stainless steel tubular heating elements with aluminum fins. **4**
- Floating heating elements on high-temperature bushings, reducing expansion noises. **5**

Watt density

- Average standard watt density of 1000W/ft.
- Average low watt density of 500W/ft., 750W/ft.

Control

- Built-in tamperproof thermostat available.
- Mechanical, electronic or pneumatic relays available.

Note: Single-pole thermostat is for 1-phase model only.

Ouellet highly recommends to use an electronic wall thermostat for greater comfort.

Installation

- Not for residential use in the United States.
- Wall or floor mounted installation.
- Mounting holes spaced on 2 in. (51 mm) intervals for ease of installation.
- Variety of accessories available for wall-to-wall installation.
- Pedestal kit or sub-base available.

Warranty

- 3-year warranty against defects.

Application

- Commercial building, hospital, daycare center.

OLA Features

Construction

- Front fresh air inlet; top warm air outlet.
 - Front warm air outlet available (-FR).

Installation

- Front outlet -FR models may be recessed.

OLI Features

Construction

- Front fresh air inlet; top warm air outlet.

OLA High Density Architectural Cabinet Convector



Average Standard Watt Density Models 1000W/ft.

Watts	Product #					Watts	Product #	Price	Length		Weight	
	208V (1 ph)	208V (3 ph)	347V	600V (1 ph)	600V (3 ph)				240/208V ¹	240/208V	in.	mm
2000	OLA2008	OLA2038 ²	OLA2007	OLA2006	OLA2036	2000/1500	OLA2000	1247.00	27 3/16	690	37.0	16.8
3000	OLA3008	OLA3038 ²	OLA3007	OLA3006	OLA3036 ²	3000/2250	OLA3000	1451.00	37 3/16	944	47.0	21.3
4000	OLA4008 ²	OLA4038 ²	OLA4007	OLA4006 ²	OLA4036 ²	4000/3000	OLA4000 ²	1679.00	47 3/16	1198	57.0	25.9
5000	OLA5008 ³	OLA5038 ²	OLA5007	OLA5006 ²	OLA5036 ²	5000/3750	OLA5000 ²	1823.00	57 3/16	1452	67.0	30.4
6000	OLA6008 ³	OLA6038 ³	OLA6007 ²	OLA6006 ³	OLA6036 ²	6000/4500	OLA6000 ³	1961.00	65 3/16	1655	79.0	35.8

Average Low Watt Density Models

Product # ⁴	Price	Length	Weight	Average Density W/ft.	Watts	208V (1 ph)	208V (3 ph)	240V	347V	600V (1 ph)	600V (3 ph)
OLA10XX-690	1247.00	27 3/16"	37.0 lb	500	1000					-	-
OLA15XX-690		(690mm)	(16.8 kg)	750	1500						
OLA15XX-944	1451.00	37 3/16"	47.0 lb	500	1500					-	-
OLA22XX-944		(944 mm)	(21.3 kg)	750	2250						
OLA20XX-1198	1679.00	47 3/16"	57.0 lb	500	2000						
OLA30XX-1198		(1198 mm)	(25.9 kg)	750	3000						
OLA25XX-1452	1823.00	57 3/16"	67.0 lb	500	2500						
OLA37XX-1452		(1452 mm)	(30.4 kg)	750	3750						
OLA30XX-1655	1961.00	65 3/16"	79.0 lb	500	3000						
OLA45XX-1655		(1655 mm)	(35.8 kg)	750	4500						

¹ 208V = 75% of wattage at 240V.

² If the control option "24V electronic relay" is required, these products need two electronic relays.

³ If the control option "24V electronic relay" is required, these products need three electronic relays.

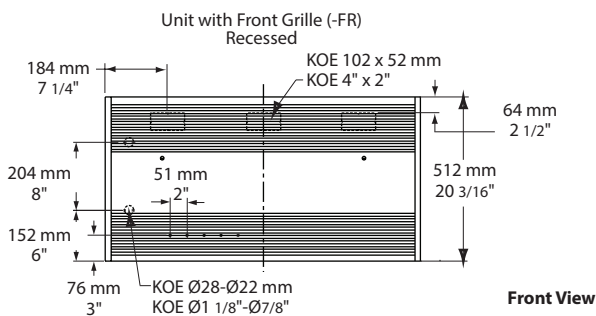
⁴ XX = 08 (208V, 1 ph), 38 (208V, 3 ph), 00 (240V), 07 (347V), 06 (600V, 1 ph), 36 (600V, 3 ph).

= Available.

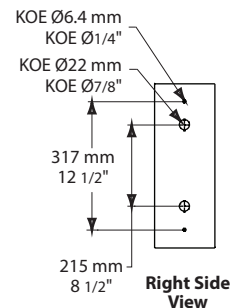
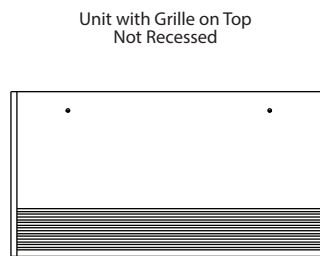
Add "BL" for white, "AM" for almond. Upcharge available for optional colors shown in the color chart section.

Other colors, accessories and finishes are available upon request. Please contact your customer service representative.

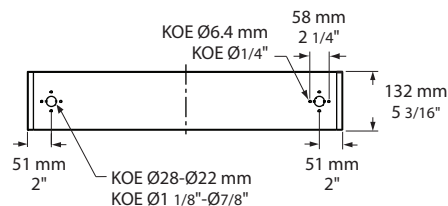
Other voltages available upon request.



Front View



Right Side View



Bottom View

OLA

Options

Product # Kit	Product # Factory installed*	Price	Description
Finish			
-	BD	+10%	Clean back
KIT-OLA-CI	-	1120.00	Corner (Inside and outside)
KIT-OLA-CR-27	-	164.00	Recess trim kit, 27 3/16 in. (690 mm)
KIT-OLA-CR-37	-	173.00	Recess trim kit, 37 3/16 in. (944 mm)
KIT-OLA-CR-47	-	183.00	Recess trim kit, 47 3/16 in. (1198 mm)
KIT-OLA-CR-57	-	194.00	Recess trim kit, 57 3/16 in. (1452 mm)
KIT-OLA-CR-65	-	202.00	Recess trim kit, 65 3/16 in. (1655 mm)
KIT-OLA-CTR	-	247.00	Relay box, 12 in. (305 mm)
-	FR	No Charge	Front warm air outlet
KIT-OLA-PEC	-	150.00	Square-shaped pedestal kit (2), 3 in. (76 mm)
KIT-OLA-SO-27	-	230.00	Sub-base, 27 3/16 in. (690 mm)
KIT-OLA-SO-37	-	245.00	Sub-base, 37 3/16 in. (944 mm)
KIT-OLA-SO-47	-	267.00	Sub-base, 47 3/16 in. (1198 mm)
KIT-OLA-SO-57	-	310.00	Sub-base, 57 3/16 in. (1452 mm)
KIT-OLA-SO-65	-	323.00	Sub-base, 65 3/16 in. (1655 mm)
KIT-OLA-SV-27	-	789.00	Empty cabinet, 27 3/16 in. (690 mm)
KIT-OLA-SV-37	-	923.00	Empty cabinet, 37 3/16 in. (944 mm)
KIT-OLA-SV-47	-	1092.00	Empty cabinet, 47 3/16 in. (1198 mm)
KIT-OLA-SV-57	-	1201.00	Empty cabinet, 57 3/16 in. (1452 mm)
KIT-OLA-SV-65	-	1432.00	Empty cabinet, 65 3/16 in. (1655 mm)
Controls			
-	CTT	224.00	Single-pole relay, coil 240V: 25A at 240V, 10A at 600V
-	CTT2	300.00	Double-pole relay, coil 240V: 25A at 240V, 10A at 600V
-	DIS40 ³	232.00	Disconnect switch, triple-pole, 40A at 600V
-	PM	458.00	Pneumatic relay, 20A at 600V
KIT-OLA-R	R	200.00	Single-pole relay, coil 24V, without transformer, 22A at 208V, 240V - 18A at 347V
KIT-OLA-R2	R2	300.00	Double-pole relay, coil 24V, without transformer, 25A at 240V - 10A at 600V
KIT-OLA-R2-30	R230	290.00	Double-pole relay, coil 24V, without transformer, 30A at 600V max.
KIT-OLA-RT-208	RT	224.00	Single-pole relay, coil 24V, with transformer 208V/24V, 4500W, 22A at 208V
KIT-OLA-RT-240	RT	224.00	Single-pole relay, coil 24V, with transformer 240V/24V, 5200W, 22A at 240V
KIT-OLA-RT-277	RT	224.00	Single-pole relay, coil 24V, with transformer 277V/24V, 5200W, 19A at 277V
KIT-OLA-RT-347	RT	224.00	Single-pole relay, coil 24V, with transformer 347V/24V, 6000W, 18A at 347V
KIT-OLA-RT-600 ¹	RT ¹	224.00	Single-pole relay, coil 24V, with transformer 600V/24V, 6000W, 10A at 600V (2-wire only)
KIT-OLA-T-AV ²	TAV ²	166.00	Single-pole tamperproof thermostat: 30A at 250V max. - 15A at 600V max.
KIT-OLA-T2-AV	T2AV	281.00	Double-pole tamperproof thermostat: 30A at 250V max. - 15A at 600V max.
-	TRIAC	79.00	Single-pole electronic relay, coil 24V, without transformer, 15A at 347V max.
-	TRIACT	110.00	Single-pole electronic relay, coil 24V, with transformer, 15A at 208V, 240V, 347V
-	TRIAC	144.00	Single-pole electronic relay, coil 24V, without transformer, 6A at 600V max.
Transformers			
-	TRF24	272.00	Transformer 24V, 50VA
-	TRF240	272.00	Transformer 240V, 50VA

* For factory installed options, add the option number to the product number. See the **Product Code** section inside the front cover.

¹ These 2-wire relays with transformer can't supply of 3-wire low voltage thermostats.

² For 1-phase model only.

³ For the U.S. only: The nominal current of the unit must not exceed 80% of the capacity of the disconnect.
Electronic relay (1 or 3-phase) available upon request.