

ORA-HX HX Range Commercial Air Curtain



Surface



Recessed



Ecopower control included



Features

Model

- Electric heat.
- No heat.

Color

- Standard: white.
- Custom colors available upon request (RAL Chart).

Voltage

- 208V, 240/208V, 480V, 600V, 60 Hz.

Construction

- Steel casing with resistant plastic end caps.
- Quick access to the internal components thanks to the front panel which facilitate maintenance and connection.
- High-limit temperature control with automatic reset.

Fan

- Squirrel-cage fans.

Heating element

- Element provides instant heat (electric heating model).

Control

- Ecopower control included (20 ft. (6 m) RJ9 control cable included).
- Door switch included.
- Compatible with a Building Management System.
- Personalize programming of the air curtain.

Installation

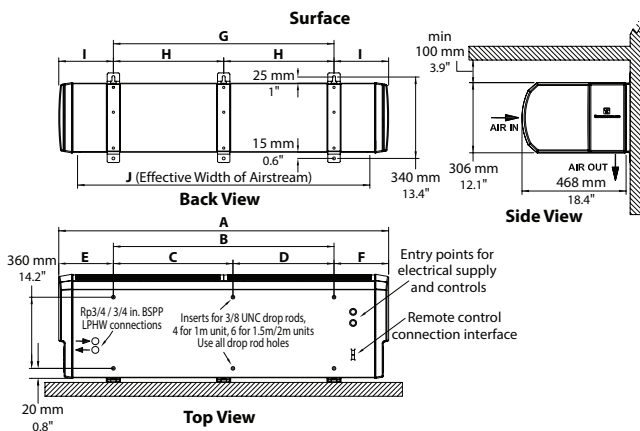
- Maximum height installation:
 - Surface-mounted: 11.48 ft. (3.5 m) above the floor.
 - Recessed: 11.48 ft. (3.5 m) above the floor.
- Surface-mounted: low profile installation brackets included.
- Ceiling hanging: fixings are included for 3/8 in. x 20 UNC threaded rods (not supplied).
- Recessed: hinged core grilles included for easy installation and maintenance.
- Joining kit, available in option, for connecting multiple surface mounted units.

Warranty

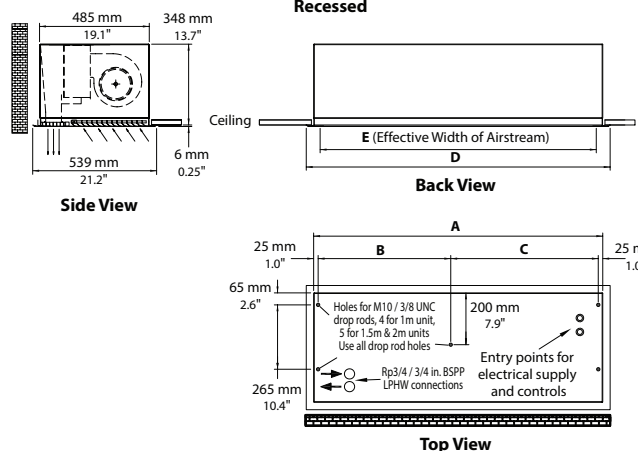
- 2-year warranty against defects.

Application

- Entrance way, vestibule, commercial building, service door, hospital, entrance of retail store.



	HX1000		HX1500		HX2000	
	mm	in.	mm	in.	mm	in.
A	1300	51.2	1825	71.9	2350	92.5
B	895	35.2	1430	56.3	2005	78.9
C	-	-	720	28.4	1032	40.6
D	-	-	710	28.0	973	38.3
E	202	8.0	197	7.8	143	5.6
F	202	8.0	197	7.8	202	8.0
G	898	35.4	1398	55.0	1904	75.0
H	-	-	699	27.5	952	37.5
I	201	7.9	213	8.4	223	8.8
J	1100	43.3	1630	64.2	2150	84.7



	HX1000		HX1500		HX2000	
	mm	in.	mm	in.	mm	in.
A	1185	46.7	1710	67.3	2235	88.0
B	-	-	726	28.6	1077	42.4
C	-	-	933	36.7	1109	43.7
D	1238	48.7	1763	69.4	2290	90.2
E	1100	43.3	1630	64.2	2150	84.7
Cut-Out in Ceiling	Length	1185	46.7	1710	67.3	2235
	Width	485	19.1	485	19.1	485

ORA-HX

Models

Volts (ph)	Product # ¹	Price		kW Lo/Hi	Amp.	cfm	Max velocity (ft./min)	dBA at 3 m	Effective width of air stream		Weight	
		Standard Models	Custom Colors (RAL Chart) ¹						in.	mm	lb	kg
Surface-mounted												
Electric heat												
600 (3) + 208 or 240 ²	HX1000ENTECO600V	8992.00	11628.00	6/12	13	900	1500	60/58/54	43	1100	101	46
600 (3) + 208 or 240 ²	HX1500ENTECO600V	12134.00	14770.00	12/18	19.3	1315	1500	60/56/53	64	1630	148	67
600 (3) + 208 or 240 ²	HX2000ENTECO600V	14824.00	17460.00	12/24	25.9	1735	1500	60/58/54	85	2150	185	84
480 (3) + 208 or 240 ²	HX1000ENTECO480V	8992.00	11628.00	6/12	15.9	900	1500	60/58/54	43	1100	101	46
480 (3) + 208 or 240 ²	HX1500ENTECO480V	12134.00	14770.00	12/18	23.7	1315	1500	60/56/53	64	1630	148	67
480 (3) + 208 or 240 ²	HX2000ENTECO480V	14824.00	17460.00	12/24	31.7	1735	1500	60/58/54	85	2150	185	84
208 (3)	HX1000ENTECO208V	8992.00	11628.00	6/12	36	790	1500	58/54/50	43	1100	101	46
208 (3)	HX1500ENTECO208V	12134.00	14770.00	12/18	54	1155	1500	58/52/49	64	1630	148	67
208 (3)	HX2000ENTECO208V	14824.00	17460.00	12/24	72	1520	1500	58/54/50	85	2150	185	84
No heat												
208/240 (1) ³	HX1000ANTECO208-230V	6847.00	9485.00	-	1.4	900	1500	60/58/54	43	1100	99	45
208/240 (1) ³	HX1500ANTECO208-230V	9218.00	11852.00	-	2.0	1315	1500	60/56/53	64	1630	146	66
208/240 (1) ³	HX2000ANTECO208-230V	11307.00	13937.00	-	2.8	1735	1500	60/58/54	85	2150	176	80
Recessed												
Electric heat												
600 (3) + 208 or 240 ²	HX1000ERECO600V	10723.00	12600.00	6/12	13	900	1500	60/58/54	43	1100	101	46
600 (3) + 208 or 240 ²	HX1500ERECO600V	14456.00	16438.00	12/18	19.3	1315	1500	60/56/53	64	1630	148	67
600 (3) + 208 or 240 ²	HX2000ERECO600V	17666.00	19753.00	12/24	25.9	1735	1500	50/58/54	85	2150	185	84
480 (3) + 208 or 240 ²	HX1000ERECO480V	10723.00	12600.00	6/12	15.9	900	1500	60/58/54	43	1100	101	46
480 (3) + 208 or 240 ²	HX1500ERECO480V	14456.00	16438.00	12/18	23.7	1315	1500	60/56/53	64	1630	148	67
480 (3) + 208 or 240 ²	HX2000ERECO480V	17666.00	19753.00	12/24	31.7	1735	1500	50/58/54	85	2150	185	84
208 (3)	HX1000ERECO208V	10723.00	12600.00	6/12	36	790	1500	58/54/50	43	1100	101	46
208 (3)	HX1500ERECO208V	14456.00	16438.00	12/18	54	1155	1500	58/52/49	64	1630	148	67
208 (3)	HX2000ERECO208V	17666.00	19753.00	12/24	72	1520	1500	58/54/50	85	2150	185	84
No heat												
208/240 (1) ³	HX1000ARECO208-230V	8141.00	10018.00	-	1.4	900	1500	60/58/54	43	1100	99	45
208/240 (1) ³	HX1500ARECO208-230V	10973.00	12955.00	-	2	1315	1500	60/56/53	64	1630	146	66
208/240 (1) ³	HX2000ARECO208-230V	13398.00	15489.00	-	2.8	1735	1500	60/58/54	85	2150	176	80

¹ To order any custom colors from the R.A.L. chart, add "-SP" at the end of the Product # and specify RAL color # on the order. Contact our customer service department for lead times.

² IMPORTANT: 600V and 480V models need 2 power sources (E.g.: 600V+208V or 230V) or an external transformer (E.g.: 600V/240V).

The VA requirement varies between models: HX1000 = 500VA, HX1500 = 750VA and HX2000 = 1000VA.

³ Maximum installation height when connected to 208V is 9.84 ft. (3 m).

Options

Product # Kit	Price	Description
ORA-EEPROM	54.00	EEPROM memory
ORA-RS-485	359.00	Cable RS-485 to USB adaptor
T7263627	166.00	Programming board
T5951001	33.00	Master and slave lead: 9.84 ft. (3 m)
T5951050	108.00	Ecopower extension lead : 32.80 ft (10 m)
T5951060	127.00	Ecopower extension lead : 49.21 ft. (15 m)
T5951020	245.00	Ecopower extension lead : 98.42 ft. (30 m)
T5951030	33.00	Extention lead coupler