

# OHV Commercial Unit Heater



Training available online [www.ouellet.com](http://www.ouellet.com)



## Features

### Color

- Standard: almond.

### Finish

- Standard: epoxy/polyester powder paint.

### Voltage

- 208V, 240V, 277V, 347V, 480V, 600V, 1 or 3-phase.

### Construction

- Draw-through design for more evenly heated air. **1**
- Specially designed outlet diffuser provides maximum air velocity. **2**
- Individually adjustable louvers to direct discharge air flow. **3**
- High-limit temperature control with automatic reset.
- 18 and 20 gauge steel.

### Fan

- Motor - totally enclosed - thermally protected. **4**
- Motor mounted in ambient air stream, shielded from heating elements. **5**
- Fan delay purges heater of residual heat for longer life.

### Heating element

- Stainless steel sheath with aluminum fins.
- Draw-through design permits greater heat transfer.

### Control

- All models have factory installed contactor.
- 240/208V control circuit standard on all models (with transformer if needed).
- Full line of unit mounted control accessories available (factory or field installed).

### Installation

- Minimum mounting height of 8 ft. (2.4 m.)
- Horizontal or vertical discharge air flow.
- Includes wall and ceiling mounting brackets (for horizontal discharge air flow).
- For vertical air flow 4 welded nuts (for threaded rod 3/8 in. X 16 UNC) provided in heater back.
- Large and easily accessible control compartment.

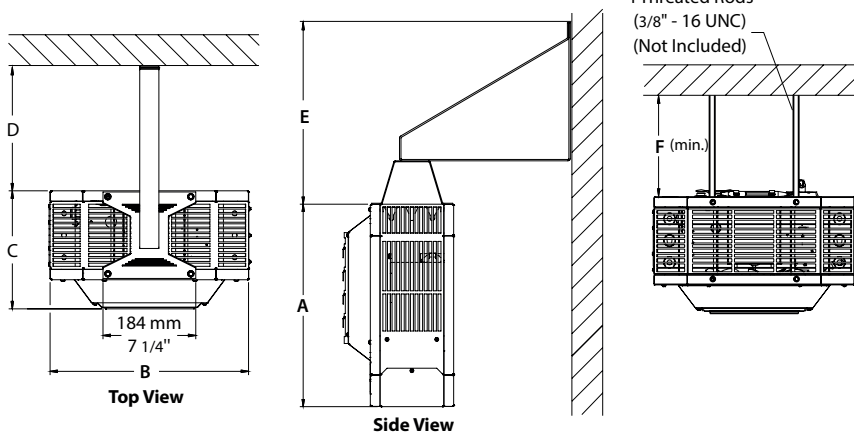
*Note: We recommend installing this product on an outside ceiling or wall to avoid vibrations spreading to an adjacent room.*

### Warranty

- 5-year warranty against defects.

### Application

- Factory, warehouse, garage, store, shipping room.



	2-5kW		7.5-10kW		15-20kW	
	mm	in.	mm	in.	mm	in.
<b>A</b>	416	16 3/8	622	24 1/2	622	24 1/2
<b>B</b>	395	15 9/16	559	22	559	22
<b>C</b>	231	9 1/8	276	10 7/8	412	16 1/4
<b>D</b>	244	9 5/8	357	14 1/16	289	11 3/8
<b>E</b>	373	14 11/16	507	19 15/16	556	21 7/8
<b>F</b>	152	6	254	10	152	6
<b>Weight</b>	<b>kg</b>	<b>lb</b>	<b>kg</b>	<b>lb</b>	<b>kg</b>	<b>lb</b>
	18	40	30	67	41	90

# OHV

## Models

kW	Volts (ph)	Product #	Price	BTU/hr	cfm	Temperature Rise		Motor	
						°C	°F	HP	rpm
2.0	208 (1/3 <sup>1</sup> )	OHV02008AM	1352.00	6824	310	11	20	1/50	1490
2.0	208 (3)	OHV02038AM	1352.00	6824	310	11	20	1/50	1490
3.0	208 (1/3 <sup>1</sup> )	OHV03008AM	1352.00	10236	310	17	31	1/50	1490
3.0	208 (3)	OHV03038AM	1352.00	10236	310	17	31	1/50	1490
5.0	208 (1/3 <sup>1</sup> )	OHV05008AM	1601.00	17060	310	28	51	1/50	1490
5.0	208 (3)	OHV05038AM	1601.00	17060	310	28	51	1/50	1490
7.5	208 (1/3 <sup>1</sup> )	OHV07508AM	2308.00	25590	600	22	40	1/33	1490
7.5	208 (3)	OHV07538AM	2308.00	25590	600	22	40	1/33	1490
10.0	208 (1/3 <sup>1</sup> )	OHV10008AM	2432.00	34120	600	29	52	1/33	1490
10.0	208 (3)	OHV10038AM	2432.00	34120	600	29	52	1/33	1490
15.0	208 (3)	OHV15038AM	3316.00	51180	915	29	52	1/8	1490
20.0	208 (3)	OHV20038AM	3647.00	68240	1250	28	51	1/8	1490
2.0/1.5	240/208 (1/3 <sup>1</sup> )	OHV02000AM	1352.00	6824/5118	310	11	20	1/50	1550
3.0/2.3	240/208 (1/3 <sup>1</sup> )	OHV03000AM	1352.00	10236/7848	310	17	31	1/50	1550
5.0/3.75	240/208 (1/3 <sup>1</sup> )	OHV05000AM	1601.00	17060/12966	310	28	51	1/50	1550
7.5/5.6	240/208 (1/3 <sup>1</sup> )	OHV07500AM	2308.00	25590/19200	625	21	38	1/33	1550
10.0/7.5	240/208 (1/3 <sup>1</sup> )	OHV10000AM	2432.00	34120/25590	625	28	51	1/33	1550
15.0/11.3	240/208 (3)	OHV15030AM	3316.00	51180/38387	950	28	50	1/8	1550
20.0/15.0	240/208 (3)	OHV20030AM	3647.00	68240/51180	1300	27	49	1/8	1550
2.0	347 (1)	OHV02007AM	1685.00	6824	310	11	20	1/50	1550
3.0	347 (1)	OHV03007AM	1685.00	10236	310	17	31	1/50	1550
5.0	347 (1)	OHV05007AM	1787.00	17060	310	28	51	1/50	1550
7.5	347 (1)	OHV07507AM	2608.00	25590	625	21	38	1/33	1550
10.0	347 (1)	OHV10007AM	2651.00	34120	625	28	51	1/33	1550
2.0	600 (1)	OHV02006AM	1685.00	6824	310	11	20	1/50	1550
2.0	600 (3)	OHV02036AM	1685.00	6824	310	11	20	1/50	1550
3.0	600 (1)	OHV03006AM	1685.00	10236	310	17	31	1/50	1550
3.0	600 (3)	OHV03036AM	1685.00	10236	310	17	31	1/50	1550
5.0	600 (1)	OHV05006AM	1787.00	17060	310	28	51	1/50	1550
5.0	600 (3)	OHV05036AM	1787.00	17060	310	28	51	1/50	1550
7.5	600 (3)	OHV07536AM	2608.00	25590	625	21	38	1/33	1550
10.0	600 (3)	OHV10036AM	2651.00	34120	625	28	51	1/33	1550
15.0	600 (3)	OHV15036AM	3316.00	51180	950	28	50	1/8	1550
20.0	600 (3)	OHV20036AM	3647.00	68240	1300	27	49	1/8	1550

<sup>1</sup> Models with the indication "1/3" can be field converted from 1 to 3-phase.  
Standard color is almond.  
277V and 480V available upon request.

## Options

Product # Kit	Product # Factory installed*	Price	Description
-	120	182.00	120V control circuit
-	24	179.00	24V control circuit
-	3P	86.00	Triple-pole contactor
KIT-OHV-D4 <sup>1</sup>	D4 <sup>1</sup>	195.00	Disconnect switch, triple-pole, 40A
KIT-OHV-D8 <sup>1</sup>	D8 <sup>1</sup>	239.00	Disconnect switch, triple-pole, 80A
KIT-OHV-F1	F1	82.00	Continuous fan switch, for 2 to 5kW units
KIT-OHV-F2	F2	116.00	Continuous fan switch with 24V relay, for units with 24V control circuit
KIT-OHV-F3	F3	82.00	Continuous fan switch, for less than 480V units (7.5 to 20kW)
KIT-OHV-F4	F4	116.00	Continuous fan switch, for 480V units and over (7.5 to 20kW)
KIT-OHV-FR	FR	82.00	Unit mounted fan relay for remote fan control of heaters with 24V control circuit (remote fan switch not included)
-	FUS	269.00	Branch circuit fusing
-	HL	328.00	Hi/Lo switch (15 to 20kW)
KIT-OHV-R	R	179.00	24V relay, without transformer
KIT-OHV-RT	RT	189.00	24V relay, with transformer
KIT-OHV-T2S	T2S	174.00	2-stage thermostat (15 to 20kW)
KIT-OHV-T5	T5	140.00	Single-stage thermostat, for 10kW units and less
KIT-OHV-T6	T6	140.00	Single-stage thermostat, for units over 10kW

\* For factory installed options, add the option number to the product number. See the **Product Code** section inside the front cover.

<sup>1</sup> For the U.S. only: The nominal current of the unit must not exceed 80% of the capacity of the disconnect.