

**WARNING: This product must be installed by a certified electrician according to the electrical and building codes effective in your region.**

**Use copper or aluminium wires only. Use supply wires suitable for 194 °F.**

### WHAT IS IN THE BOX

6 Back box for OVO/H/S series wall fan heater  
6 Self-adhering spacer

### TOOLS REQUIRED

Level	Wire clamp
Flat screwdriver	12 (2 per back box) Screws (1-1/2") with a 1/4" (6.5 mm) diameter head minimum, suitable for securing the back box directly to a stud.
Phillips screwdriver	
Tape measure	

## IMPORTANT INSTRUCTIONS

Before installing and using this product, you must read and understand these instructions and keep them for future reference. If the installer and the user do not follow these instructions, the manufacturer cannot be held liable in any way and the warranty will be null and void.

The following instructions must be adhered to in order to avoid personal injuries or property damages, serious injuries and potentially fatal electric shocks.

If the installer or the user modifies the unit, they will be held responsible for any damage resulting from this modification, and the CSA certification could be void.

### INTENDED USE

**For indoor installation only.** Make sure the unit is appropriate for the intended use (if needed, refer to the product catalog or a representative).

### POSITION

Do not install the unit where objects or pieces of furniture could be heat damaged.

Respect the following distances and positions: This unit must be installed at least 6 in. (15 cm) from any adjacent surfaces and at least 6 in. (15 cm) from the floor. Make sure objects or pieces of furniture such as, but not limited to, blankets, towels, beds, laundry baskets, clothing, papers, etc. do not come into contact with the unit, and keep them at least 36 in. (90 cm) from the unit. Some materials are more heat-sensitive than others, so make sure those near the unit can withstand heat. Do not install on a wall behind a door.

This unit has hot and arcing or sparking parts inside. It is not designed to be used or stored in wet areas or areas containing flammable liquids, combustible materials or corrosive, abrasive, chemi-

cal, explosive and flammable substances such as, but not limited to, paint, gasoline, chlorine, sawdust and cleaning products.

### RISK OF FIRE, ELECTRIC SHOCK, BODILY INJURY AND DAMAGE

This product must be installed by a qualified person and connected by a **certified electrician**, according to the **electrical and building codes** effective in your region.

Protect the heating unit with the appropriate circuit breaker or fuse, in accordance with the nameplate.

Make sure the line voltage (volts) is consistent with that indicated on the unit's nameplate.

### This unit must be grounded.

Switch off the power at the circuit breaker or fuse before installing, repairing and cleaning the unit.

This unit must not come into contact with a water source and must be protected from splashes (e.g., splashes from a sink or shower). Do not use it if any part has been immersed. Moreover, do not turn it on or off when standing in water or if your hands are wet.

When starting up the unit for the first time or after a long period, it is normal that it produces some temporary odours.

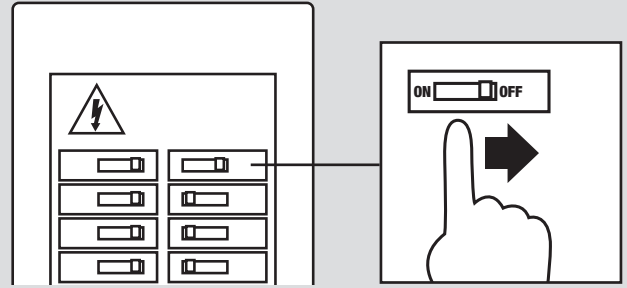
Because this unit is hot when in use, it may pose risks even in normal operation. Therefore, be **careful** and **responsible** when using it. To avoid burns, do not let bare skin touch hot surfaces. The unit must cool down for few minutes since it will stay warm for some time after shut down.

## SAVE THESE INSTRUCTIONS

# 1

## CUTTING THE POWER SUPPLY

To protect yourself from the risk of electric shock, turn off the power to the lead wires from the electrical panel.



# 2

## WHERE TO INSTALL YOUR FAN HEATER

Install your fan heater in an unobstructed location at least 6 in. off the ground.

**TIP:** You can access the fan heater's controls more easily if you install it 12 in. off the ground.

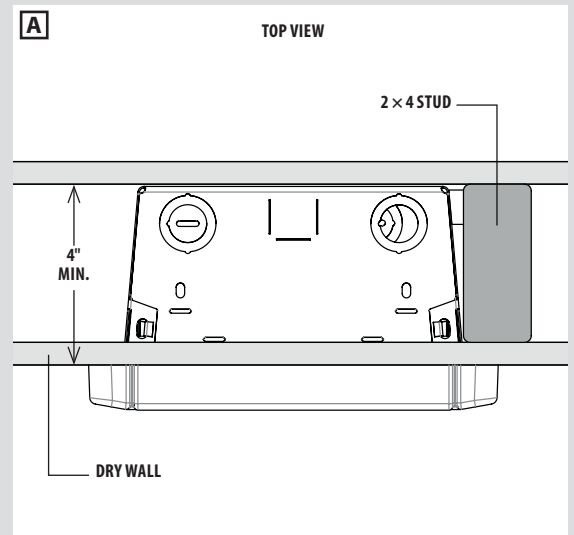
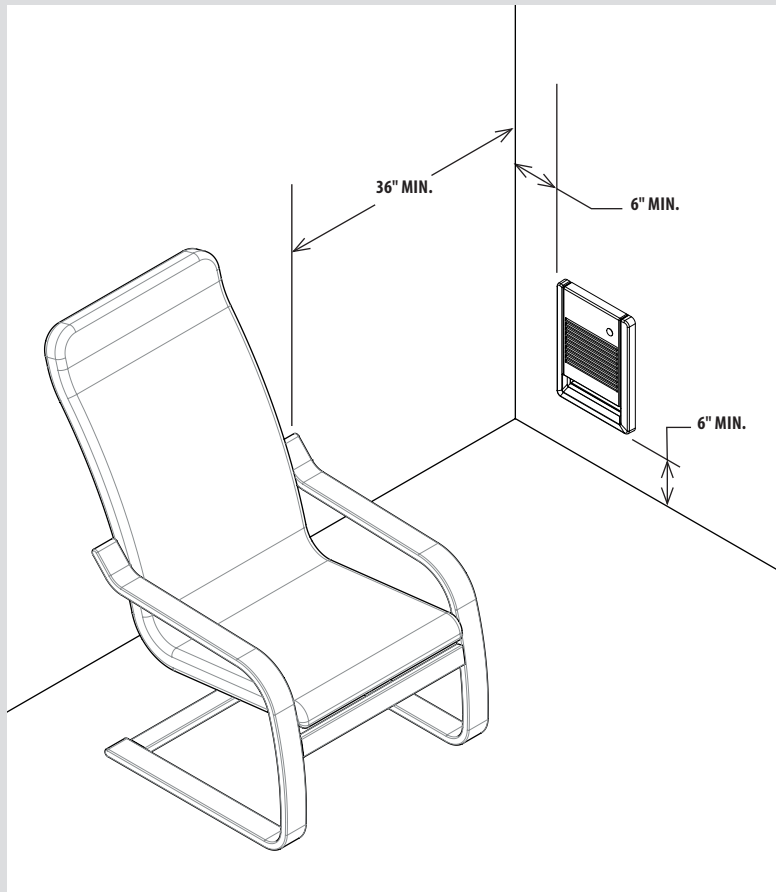
Make sure that objects or furniture near the heater can withstand the heat it gives off.

Do not install the heater on a wall behind a door.

If a piece of furniture is nearby, make sure the fan heater will not impede the opening of its drawers or doors.

To recess your fan heater in a wall, consider the following:

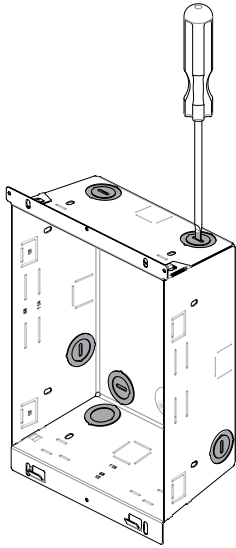
- Check the construction of your wall. There should be at least 4 in. from the outside of your finishing and the inside of your wall. A 2 × 4 wood stud construction with a 1/2 in. thick finishing are considered compliant **[A]**.
- Avoid installing in an exterior wall as this decreases the wall's insulation.
- Consider the location of the studs in your wall. One side of the heater must be fixed to a stud.
- Consider the location of pipes, electrical wires or other components that may be present inside the wall and damaged during installation.



# 3

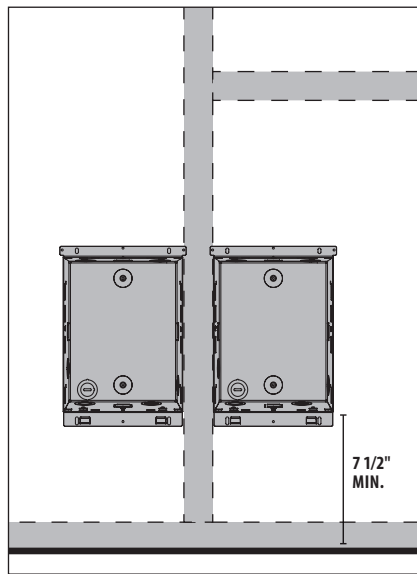
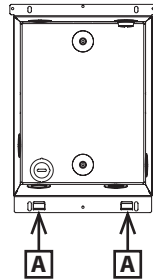
## PREPARING THE BACK BOX

1. Perforate **one** of the seven pre-cut holes. Choose the hole according to the power cable's position in the wall and the available space.

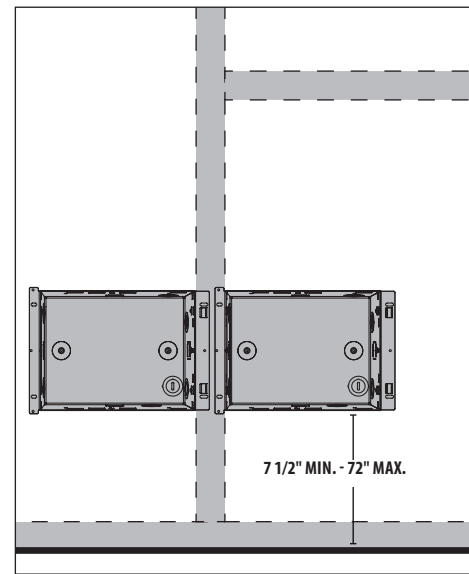
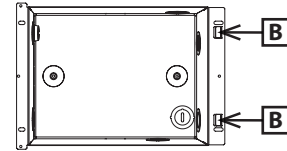


**ATTENTION:** Be sure to push in the right hole by placing the back box in the correct direction. The notches will be positioned at the bottom [A], or at the right [B].

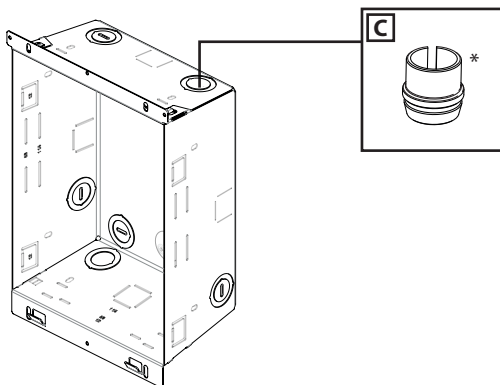
### VERTICAL INSTALLATION OVO & OVOS ONLY



### HORIZONTAL INSTALLATION OVOH ONLY

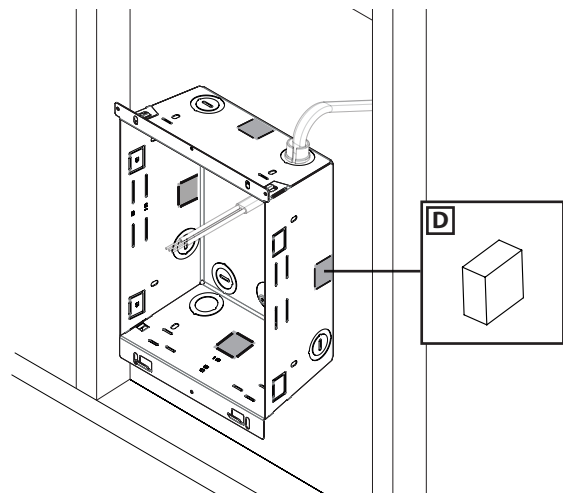


2. Place the wire clamp [C] in the hole. Insert the power cable through the wire clamp and secure it. You will need at least 6 in. of cable inside the junction box to connect the unit's wires easily.



\*wire clamp not included

3. Attach the self-adhering spacer [D] to one of the four specially identified spots on the **external side** of the back box that will rest against the stud.



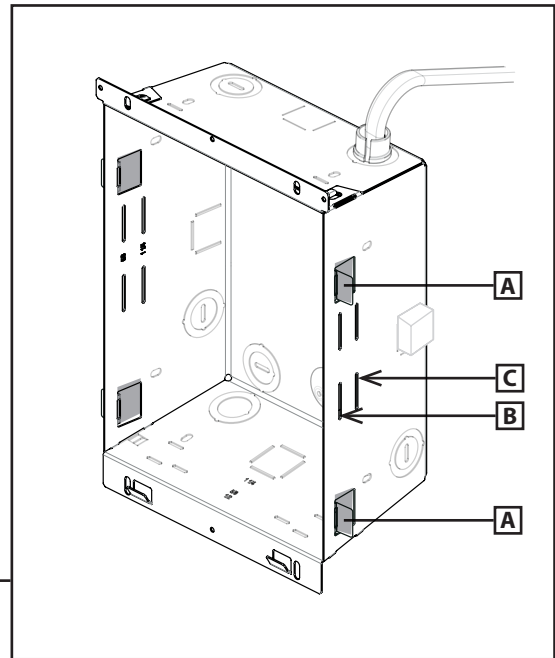
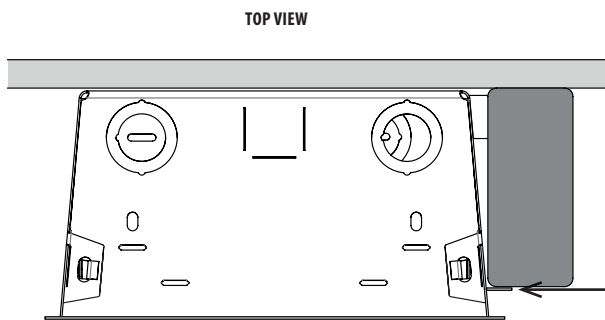
# 4

## ATTACHING THE BACK BOX TO THE WALL

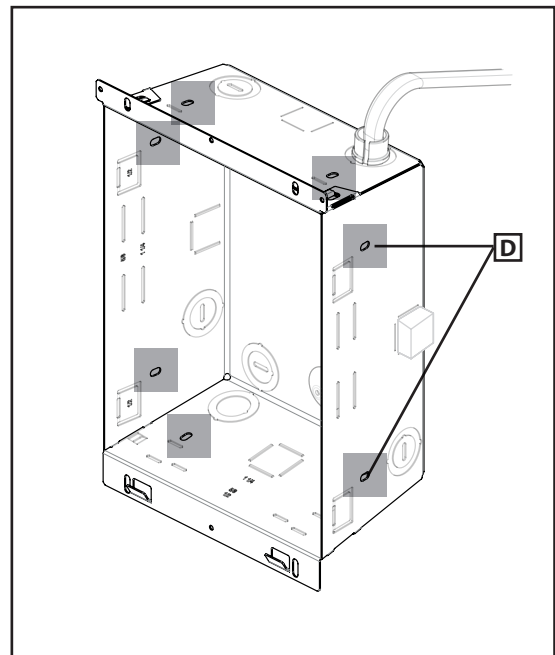
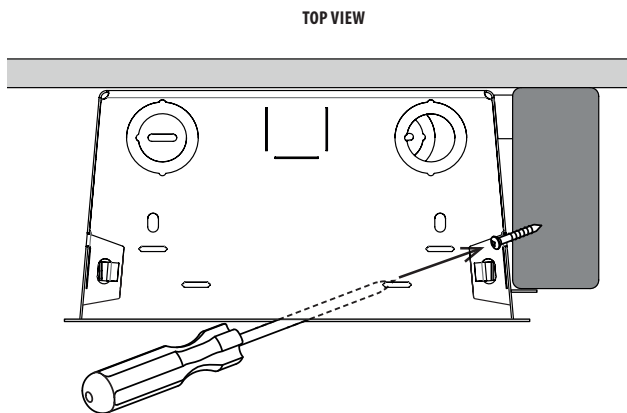
1. Position the box at the correct depth. For 1/2 inch thick finishing, you can fold the side tabs **[A]** and install directly on the stud.

For other thicknesses, align the stud with the corresponding perforated marks.

**[B]** 5/8" marks **[C]** 1/14" marks.



1. Place the back box against a stud according to the diagrams shown beside.
2. According to your installation, screw\* the box to the wall stud using **two** mounting holes **[D]**.



\*Screws not included

**Consult the owner's manual at step *Connecting the wiring* to complete the wall fan heater installation.**