

VERDEdri®

Hi-Speed Surface-Mounted ADA Compliant Hand Dryer

Secamanos compatible con ADA, de montaje en superficie, de alta velocidad

Sèche-mains grande vitesse monté en surface conforme à l'ADA

(ADA)



Please read and save these instructions. Read carefully before attempting to assemble, install, operate or service the product described. Protect yourself and others by observing all safety information. Failure to comply with instructions could result in personal injury and/or property damage. Retain instructions for future reference.

Por favor lea y guarde estas instrucciones. Léelas cuidadosamente antes de tratar de montar, instalar, operar o dar mantenimiento al producto aquí descrito.

Protéjase usted mismo y a los demás siguiendo todas las instrucciones de seguridad. No seguir las instrucciones puede ocasionar daños, tanto corporales como materiales. Guarde estas instrucciones como referencia para el futuro.

Lire et conservez ces instructions. Les lire attentivement avant de commencer à assembler, à installer, à faire fonctionner ou à entretenir l'appareil décrit. Pour se protéger et protéger autrui, observer toutes les consignes de sécurité. Négliger de se conformer à ces instructions peut causer des blessures personnelles et/ou des dommages matériels. Conservez ces instructions pour références ultérieures.



WORLD DRYER

World Dryer Corporation

340 County Line Road
Bensenville, IL 60106 U.S.A.




800-323-0701

www.worlddryer.com

This Page Intentionally Left Blank

Electrical Specifications

Table 1

Models	Type	Electrical Ratings	Certifications
Q-XXXA2	Automatic	115 / 230 VAC 950W 50/60Hz 277 VAC 1150W 50/60Hz	   IP24

General Safety Information

DANGER

Failure to disconnect the power source before installation or servicing can result in serious injury or death from electric shock. Always disconnect the power source before servicing or installing the dryer.

Failure to properly ground the dryer could result in severe electrical shock and/or death. This dryer must be properly grounded for safe operation. An identified ground connection point is supplied on the dryer.


Warning

Risk of fire, personal injury or property damage are possible if local codes or safety recommendations are not followed. This dryer must be installed in accordance with current local electrical codes such as the NEC (National Electrical Code) or CEC (Canadian Electrical Code).

This hand dryer is not intended for use by young children or persons with physical, sensory or mental disabilities unless adequately supervised by a responsible person to ensure they can use the hand dryer safely. Young children should be supervised to ensure they do not play with the hand dryer. Use this dryer only for its intended purpose. Do not use as a hair dryer.

Installation and servicing should only be performed by qualified electrical technicians.

Use only the electrical voltage and frequency consistent with the dryer's rating label. Connect the hand dryer to a suitable distribution panel with a disconnection means complying with local wiring codes and having an electrical rating greater than shown on the dryer's rating label. Use No. 14 AWG (2.08mm²) or larger wire. Do not connect to a circuit supplying lighting or other appliances. The dryer must be connected to an independent circuit. The supply circuit must not be supplied through an external switching device, such as a timer, or connected to a circuit that is regularly switched on and off by the utility. Use fittings with smooth rounded surfaces for protection of power supply cables. Route all field wiring away from moving parts within the dryer.

 **Warning** Cancer and Reproductive Harm - www.p65warnings.ca.gov

Caution

Improper mounting could result in personal injury or property damage. Follow the mounting height recommendations in Table 2. On a stud wall, one side of the hand dryer should be mounted to an existing stud.

Unpacking

Unpack all items from the shipping box. Packaged items should include hand dryer, owners manual, mounting template and tamper-proof wrench. Review and report any missing or damaged items.

Installation

1. Disconnect the power source at the distribution panel.
2. Determine the recommended mounting height for gender/age (Table 2). Select a mounting location where no reflective surfaces (countertop or wash basin) are closer than 18 in (46 cm) below the dryer. Avoid mounting where the dryer may be directly exposed to natural light (sunlight). When mounting adjacent to an existing dryer, the dryers should be spaced at least 24 in (61 cm) apart.
3. Select the access for electrical connections through the rear or bottom of the dryer's mounting plate matching the supply wiring access.
4. Using the mounting template provided, mark locations for the mounting bolt holes on the wall. For stud walls, ensure at least one fastening location will be secured to a stud.
5. Use the tamper-proof wrench supplied to loosen the cover mounting screws (turn screws clockwise) to remove the cover from the dryer.
6. Fasten the base to the wall, using the type of bolts recommended (Table 3).
7. Connect the dryer to the supply wiring.
8. Replace cover, tighten cover mounting screws (turn screws counter-clockwise) making certain not to over-tighten.
9. Connect the power source at the distribution panel.

Table 2

Recommended Mounting Heights from Floor to Dryer Bottom Edge	in. (cm.)
Men's washrooms	46 (117)
Women's washrooms	44 (112)
Children's washrooms, ages 4-7	32 (81)
Children's washrooms, ages 7-10	36 (91)
Children's washrooms, ages 10-13	40 (102)
Children's washrooms, ages 13-17	44 (112)
Handicap Mounting Height	37 (94)

Table 3

Type of Wall	Type of Bolt
Hollow Tile, Lath, Wall Board or Metal	No 10 (M5) Screw Type or Wing Type Toggle Bolts
Cement, Brick, or Tile Covered Cement or Brick	No 10 (M5) Flanged Plastic Anchors for Block or Brick
Stud Wall	No 12 (5.5 mm) Wood Screws

Adjusting Blower Speed

These models include adjustable blower speed control for (3) levels of operation – Hi, Med and Low. The switch is located on the printed circuit board inside the dryer as shown in Fig. 1 below.

Note: The factory setting for the blower speed control is “Hi”.

To adjust blower speed:

1. Disconnect the power source.
2. Use the security hex key supplied to turn the cover mounting screws **clockwise** to remove the cover from the dryer.
3. Locate the switch on the printed circuit board inside the dryer as shown in Fig. 1 below, and adjust blower speed as desired. (Note: When Med or Low speed is selected, LED 3 on the printed circuit board will be lit). Reassemble the dryer cover using the security hex key supplied to turn the cover mounting screws **counter-clockwise** and tighten until snug. Do not over tighten.
4. Reconnect the power source.

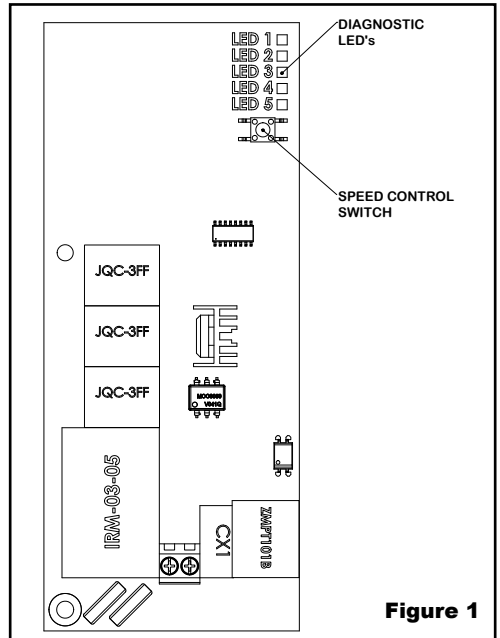


Figure 1

Accent Lighting

The dryer's accent lighting can be adjusted to operate continuously or only when the dryer is activated for drying hands (default factory setting). Most energy efficient operation is with the default factory setting. To change the lighting mode, press the light mode switch shown in Fig. 2 below.

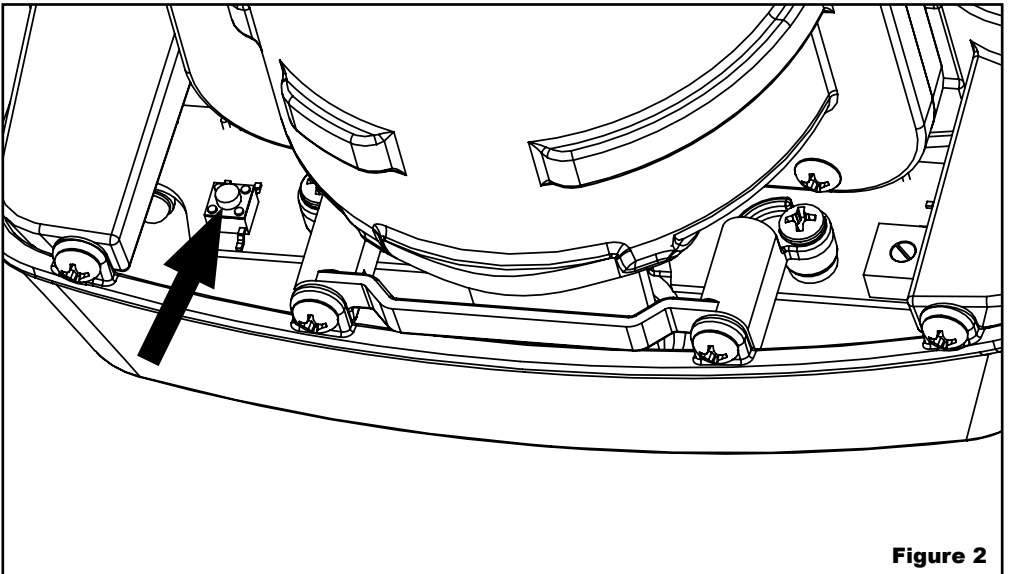
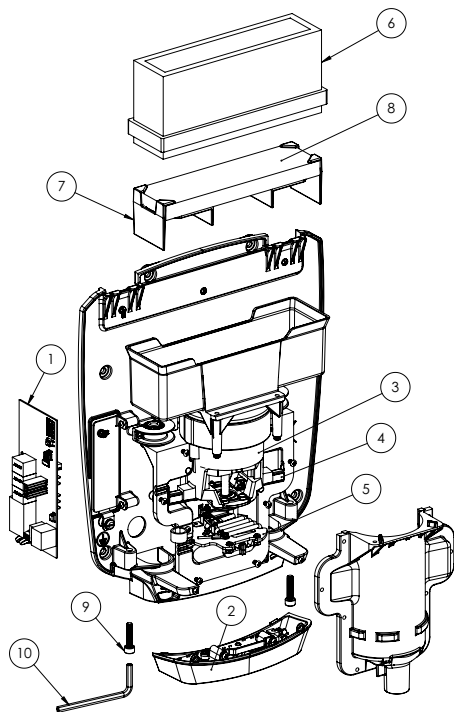


Figure 2

Service Part List



For Repair Parts, visit
www.WorldDryer.com

Please provide following information:

- Model number
- Serial number
- Part description and number shown in parts list

#	Description	Part Number
1	Kit, Main Dryer Controls	16-10489K
2	Kit, IR Sensor with Accent Lights	49-10505K
3	Kit, Motor	32-10268K
4	Kit, Replacement Motor Brushes	32-10337K
5	Kit, Heating Element	21-10306K
6	Filter, HEPA	93-10490K
7	Accessory – Coarse Filter with Bracket	93-10506K
8	Filter, Coarse Particulate (for dryers without HEPA filter)	93-10496
9	Kit, Security Screws (includes Wrench)	46-040221K
10	Wrench, Security	56-40189

Maintenance and Cleaning Instruction

IMPORTANT: The dryer may collect lint and debris that is naturally present in the air. Excessive build up of lint and debris can damage the motor and heating element. The dryer should be cleaned on a routine schedule to maintain the dryer in good operating condition. With light to moderate wash room traffic, cleaning once a year is recommended. If wash room traffic is high, cleaning every 6 months is recommended.

To clean the hand dryer:

1. Disconnect the power source.
2. Use the security hex key supplied to turn the cover mounting screws **clockwise** to remove the cover from the dryer.
3. Use a soft-medium bristle paint brush to clean lint, dust and debris from the air intake slots, and the motor's exterior.
4. After cleaning, reassemble the dryer cover using the security hex key supplied to turn the cover mounting screws **counter-clockwise** and tight until snug. Do not over tighten.

HEPA Filter Replacement

High efficiency particulate absorption (HEPA) filters remove a minimum of 99.97% of contaminants 0.3 microns in size or larger.

The service life of a HEPA filter depends on the environment in which the dryer is installed and frequency of use. High traffic washrooms or high usage will require more frequent inspection and replacement of the HEPA filter. When visual inspection of the HEPA filter shows excessive buildup of lint, dust and debris, the filter should be replaced.

Examining and changing a HEPA filter regularly keeps hand dryers working efficiently. Operating a hand dryer with an excessively dirty or clogged filter can damage your machine.

The HEPA filter cannot be cleaned and re-used. Do not clean the HEPA filter or allow it to come into contact with water.

To inspect or replace the HEPA filter:

1. Disconnect the power source.
2. Use the security hex key supplied to turn the cover mounting screws **clockwise** to remove the cover from the dryer.
3. Removing and replacing the HEPA filter is easily done by sliding the filter in its mounting track on the motor cap.
4. After replacing the HEPA filter, reassemble the dryer cover using the security hex key supplied to turn the cover mounting screws **counter-clockwise** and tight until snug. Do not over tighten.
5. Reconnect the power source.

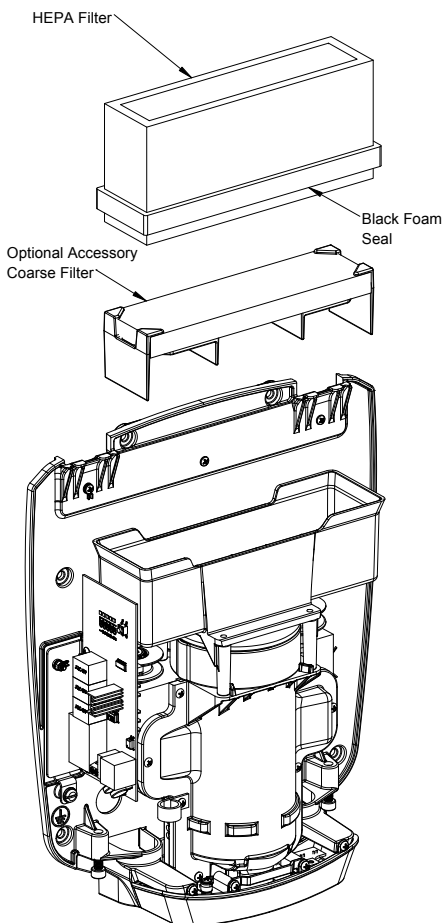


Figure 3

Coarse Particulate Filter

The optional accessory coarse particulate air filter prevents lint and debris build up that can damage the motor and heating element. Routine replacement or cleaning of the air filter is needed to maintain the dryer in good operating condition. With light to moderate wash room traffic, replacing or cleaning the air filter once a year is recommended. If the wash room traffic is high, the air filter should be replaced or cleaned every 6 months.

To replace or clean the coarse particulate air filter:

1. Disconnect the power source.
2. Use the security hex key supplied to turn the cover mounting screws **clockwise** to remove the cover from the dryer.
3. Removing and replacing the air filter is easily done by lifting the filter bracket upward out of the filter housing. The coarse filter should be removed from the bracket for cleaning or replacement.
4. Use soft-medium bristle ½" paint brush to clean lint, dust and debris from the filter. If air filter cannot be completely cleared of debris, replace the filter.
5. Reassemble the dryer cover using the security hex key supplied to turn the cover mounting screws **counter-clockwise** and tight until snug. Do not over tighten.
6. Reconnect the power source.

Diagnostic LED Display

The printed circuit board includes a set of LED's that indicate the operational status of the hand dryer. When contacting World Dryer Technical Service, be prepared to remove the dryer's cover and provide the condition of the LED's as this can be helpful in troubleshooting the dryer. See Figure 1 for location of diagnostic LED's on the printed circuit board. See Table 4 for an explanation of LED function.

Diagnostic LED Function

Table 4

Error	IR Sensor	Speed Setting	Power Supply		Indication
			LED 2	LED 1	
Flashing	LED 4	LED 3	LED 2	LED 1	Voltage outside of normal range
			ON	ON	Decteded Supply voltage is 120V
			ON	Off	Decteded Supply voltage is 208V
			OFF	ON	Decteded Supply voltage is 240V
			OFF	OFF	Decteded Supply voltage is 277V
		ON			Blower speed is set at Med or Low
		OFF			Blower speed is set at Hi (default)
	ON				IR sensor detects hands
	OFF				No IR Sensor Detection

Troubleshooting Chart

Dryer fails to start.	Incoming Power Supply	Confirm circuit breaker is switched on and circuit is active
	Sensor Locked Out	Remove dryer cover, Check if LED 4 flashing on the main PCB. If LED 4 is flashing on/off, check sensor lens for obstruction or foreign material. Clean lens with soft damp cloth and mild cleaning agent. Check for, and remove, any object or reflective surface closer than 18 inches (46cm) below the dryer.
	Defective PCB	If no LED's are lit on the main PCB, press the speed control push button on the main PCB. If LED 3 does not activate after the push button is pressed, replace the main PCB.
	Defective Sensor	If power supply and main PCB are confirmed active, and LED 4 does not light when hands are placed under the dryer, replace the IR sensor.
	Motor Brushes at End of Service Life	Check motor brushes and replace if necessary.
	Defective Heating Element (Important: Applies only when connected to 208 – 277V power supply)	If dryer is connected to 208 – 277V power supply and all possible causes have been checked, replace the heating element.
Dryer too loud.	Adjust Dryer Speed Setting	Adjust blower speed to "Low". See page 4. When operating at Med or Low speed, LED 3 will be lit.
No heat. The dryer's heating fluctuates / goes "On" and "Off" during a drying cycle. The dryer speed fluctuates up and down during a drying cycle.	Defective Heating Element (Important: Applies only when connected to 120V power supply)	Replace heating element.
Dryer will only run a few seconds and then stops. Dryer will not activate every time.	Motor Brushes at End of Service Life	Check motor brushes and replace if necessary.
	Defective Heating Element (Important: Applies only when connected to 208 – 277V power supply)	Replace heating element.

Limited Warranty

World LIMITED TEN – YEAR WARRANTY. World Warm Air Hand Dryer, Model covered in this manual, is warranted by World Dryer Corporation to the original user against defects in workmanship or materials under normal use for 10 years after date of purchase except motor (7 years) and sensor (7 years). This warranty excludes normal wear and tear and expendable parts such as HEPA filters, motor brushes, and accent lighting. Any part which is determined to be defective in material or workmanship and returned to an authorized service location, as World designates, shipping costs prepaid, will be, as the exclusive remedy, repaired or replaced at World's option. For limited warranty claim procedures, see PROMPT DISPOSITION below. This limited warranty gives purchasers specific rights from jurisdiction to jurisdiction.

LIMITATION OF LIABILITY. To the extent allowable under applicable law, World's liability for consequential and incidental damages is expressly disclaimed. World's liability in all events is limited to and shall not exceed the purchase price paid.

WARRANTY DISCLAIMER. World has made a diligent effort to provide product information and illustrate the products in this literature accurately; however, such information and illustrations are for the sole purpose of identification, and do not express or imply a warranty that the products are MERCHANTABLE, or FIT FOR A PARTICULAR PURPOSE, or that the products will necessarily conform to the illustrations or descriptions. Except as provided below, no warranty or affirmation of fact, expressed or implied, other than as stated in the "LIMITED WARRANTY" above is made or authorized by World.

PRODUCT SUITABILITY. Many jurisdictions have codes and regulations governing sales, construction, installation, and/or use of products for certain purposes, which may vary from those in neighboring areas. While World attempts to assure that the products comply with such codes, it cannot guarantee compliance, and can not be responsible for how the product is installed or used. Before purchase and use of a product, review the product application, and all applicable national and local codes and regulations, and be sure that the product, installation, and use will comply with them.

Certain aspects of disclaimers are not applicable to consumer products; e.g., (a) some jurisdictions do not allow the exclusion or limitation of incidental or consequential damages, so the above limitation or exclusion may not apply to you; (b) also, some jurisdictions do not allow a limitation on how long an implied warranty lasts, consequentially the above limitation may not apply to you; and (c) by law, during the period of this Limited Warranty, and implied warranties of implied merchantability or fitness for particular purpose applicable to consumer products purchased by consumers, may not be excluded or otherwise disclaimed.

Manufactured by World Dryer Corporation, Bensenville, Illinois 60106 U.S.A

PROMPT DISPOSITION. World will make a good faith effort for prompt correction or other adjustment with respect to any product which proves to be defective within limited warranty. For any product believed to be defective within limited warranty, first write or call dealer from whom the product was purchased. Dealer will give additional directions. If unable to resolve satisfactorily, write to World at address below, giving dealer's name, address, date, and number of dealer's invoice, and describing the nature of defect. Title and risk of loss pass to buyer on delivery to common carrier. If product was damaged in transit to you, file claim with carrier.

Especificaciones del sistema eléctrico

Tabla 1

Modelos	Tipo	Clasificaciones eléctricas	Certificaciones
Q-XXXV2	Automático	115 / 208 / 230 VAC 950W 50/60Hz 277 VAC 1150W 50/60Hz	   IP24

Información de seguridad general

PELIGRO

No desconectar el suministro eléctrico antes de realizar la instalación o el mantenimiento puede resultar en lesiones graves o la muerte por descarga eléctrica. Desconecte siempre el suministro eléctrico antes de instalar el secamanos o efectuar su mantenimiento.

No conectar correctamente a tierra esta unidad puede resultar en una descarga eléctrica grave o la muerte. Este secamanos se debe conectar correctamente a tierra para que funcione en forma segura. En la base del secamanos se identifica un punto de conexión a tierra.

ADVERTENCIA

Hay riesgos posibles de incendio, lesiones personales o daños materiales si no se cumple con los códigos locales o las recomendaciones de seguridad. Esta secadora debe instalarse de acuerdo con los códigos eléctricos locales vigentes, como el NEC (Código Eléctrico Nacional) o el CEC (Código Eléctrico Canadiense).

Este aparato no está hecho para que lo utilicen niños pequeños o personas con capacidades físicas, sensoriales o mentales disminuidas, a menos que sean supervisados por una persona responsable y puedan utilizar el aparato de manera segura. Hay que supervisar a los niños pequeños para que no jueguen con el aparato. Use esta secadora solo para el propósito previsto. No utilizar como secador de pelo.

La instalación y el mantenimiento deben ser realizados únicamente por técnicos eléctricos cualificados. Use solo el voltaje eléctrico y la frecuencia de acuerdo con la etiqueta de clasificación de la secadora. Conecte la secadora de manos a un panel de distribución apropiado con una desconexión significa cumplir con los códigos de cableado locales y tener una clasificación eléctrica mayor que la que se muestra en la etiqueta de clasificación de la secadora. Utilice un cable de calibre AWG 14 (2.08mm²) o mayor. No lo conecte a un circuito que suministre iluminación u otros electrodomésticos. La secadora debe estar conectada a un circuito separado. El secamanos no debe alimentarse a través de un dispositivo conmutador externo como, por ejemplo, un temporizador, ni conectarse a un circuito que la empresa de servicio eléctrico cierre o abra regularmente. Tienda todo el cableado durante la instalación separándolo de todas las piezas móviles del interior del secamanos.

 **ADVERTENCIA** Cáncer y Daño Reproductivo - www.p65warnings.ca.gov

ATENCIÓN

El montaje incorrecto puede ocasionar lesiones corporales o daños materiales. Cumpla con las alturas de montaje recomendadas en la Tabla 2. En una pared de entramado, se debe montar un lado del secamanos en un parante existente.

Desembalaje

Desembale todos los artículos de la caja de envío. Los artículos empaquetados deben incluir secador de manos, manual del propietario, plantilla de montaje y llave a prueba de manipulaciones. Revise e informe cualquier artículo perdido o dañado.

Instalación

1. Desconecte la fuente de alimentación en el panel de distribución.
2. Determine la altura de montaje recomendada para género / edad (Tabla 2). Seleccione un lugar de montaje donde las superficies reflectantes (encimera o lavabo) no estén a menos de 18 pulgadas (46 cm) debajo de la secadora. Evite el montaje donde la secadora pueda estar directamente expuesta a la luz natural (luz solar). Cuando se instala junto a una secadora existente, las secadoras deben estar separadas al menos a 24 pulgadas (61 cm) de distancia.
3. Seleccione el acceso para las conexiones eléctricas a través de la parte posterior o inferior de la placa de montaje de la secadora que coincida con el acceso del cableado de suministro.
4. Usando la plantilla de montaje provista, marque las ubicaciones para los orificios de los pernos de montaje en la pared. Para paredes con montantes, asegúrese de que al menos una ubicación de fijación esté asegurada a un montante.
5. Use la llave a prueba de manipulaciones suministrada para aflojar los tornillos de montaje de la cubierta (gire los tornillos en sentido horario) para quitar la cubierta de la secadora.
6. Sujete la base a la pared, utilizando el tipo de pernos recomendado (Tabla 3).
7. Conecte la secadora al cableado de suministro.
8. Vuelva a colocar la cubierta, apriete los tornillos de montaje de la cubierta (gire los tornillos en sentido antihorario) asegurándose de no apretarlos demasiado.
9. Conecte la fuente de alimentación en el panel de distribución.

Tabla 2

Alturas de montaje recomendadas (Piso a la parte inferior del secador)	cm (pulg.)
Baños de hombres	117 (46)
Baños de mujeres	112 (44)
Baños de niños, 4 a 7 años de edad	81 (32)
Baños de niños, 7 a 10 años de edad	91 (36)
Baños de niños, 10 a 13 años de edad	102 (40)
Baños de niños, 13 a 17 años de edad	112 (44)
Altura de montaje para discapacitados	94 (37)

Tabla 3

Tipo de pared	Tipo de perno
Baldosa hueca, malla, pared de yeso o metal	No 10 (M5) Tipo de tornillo o tipo de ala Pernos de palanca
Cemento, ladrillo, o cemento o ladrillo recubiertos con baldosas	No 10 (M5) Pernos de expansión de tipo parante
red de entramado con refuerzo de madera	No 12 (5.5 mm) Tornillos para madera

Ajuste de velocidad del ventilador

Estos modelos incluyen un control de velocidad del ventilador ajustable para (3) niveles de operación - Alto, Medio y Bajo. El interruptor se encuentra en la placa de circuitos impreso dentro del secamanos, mostrado en la figura 1 a continuación.

Aviso: La configuración inicial de fábrica del control de velocidad del ventilador es “Alto”.

Para ajustar la velocidad del ventilador:

1. Desconecte el suministro eléctrico.
2. Utilice la llave hexagonal de seguridad que se proporciona para girar los tornillos de montaje de la cubierta **hacia la derecha**, y separarla del secamanos.
3. Localice el interruptor del tablero de circuitos impresos dentro del secamanos como se muestra en la figura 1 a continuación, y ajuste la velocidad del ventilador según se desee. (Presione y suelte el botón del interruptor de velocidad para alternar entre Hi, Med y Low.)

Instale nuevamente la cubierta del secamanos, usando la llave hexagonal de seguridad suministrada para girar los tornillos de montaje **hacia la izquierda** y apriételes hasta que estén bien ajustados. No apriete demasiado.

4. Vuelva a conectar el suministro eléctrico.

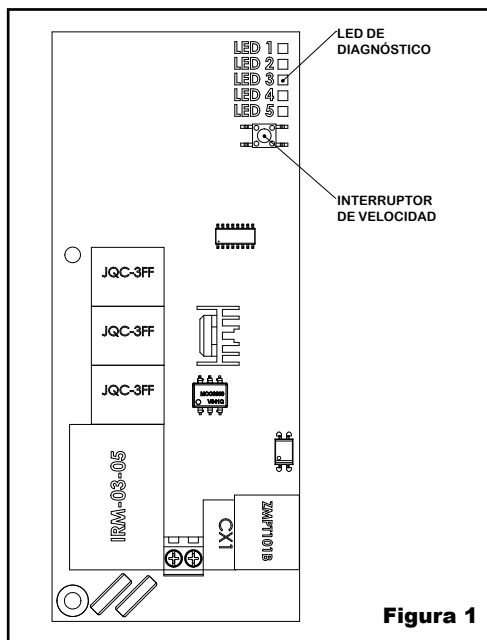


Figura 1

Iluminación de Acento

La iluminación de acento de la secadora se puede ajustar para que funcione continuamente o solo cuando la secadora está activada para secar las manos (configuración predeterminada de fábrica). La operación más eficiente energéticamente es con la configuración predeterminada de fábrica.

Para cambiar el modo de iluminación, presione el interruptor del modo de luz que se muestra en la Fig. 2 a continuación.

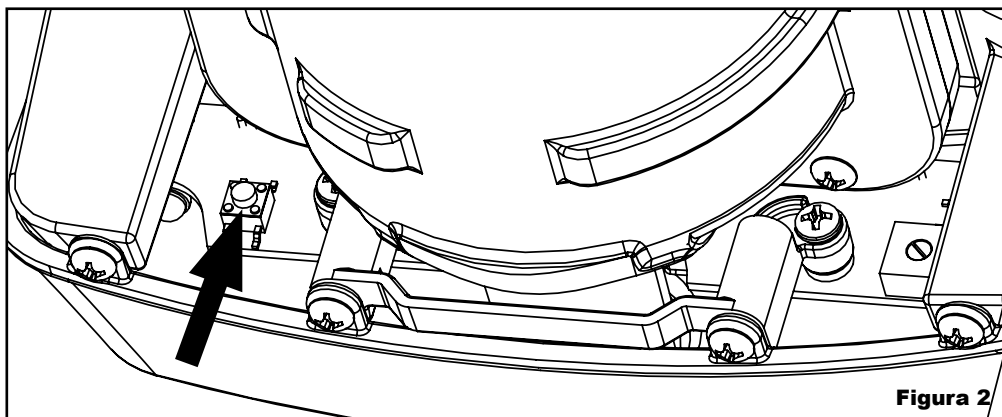
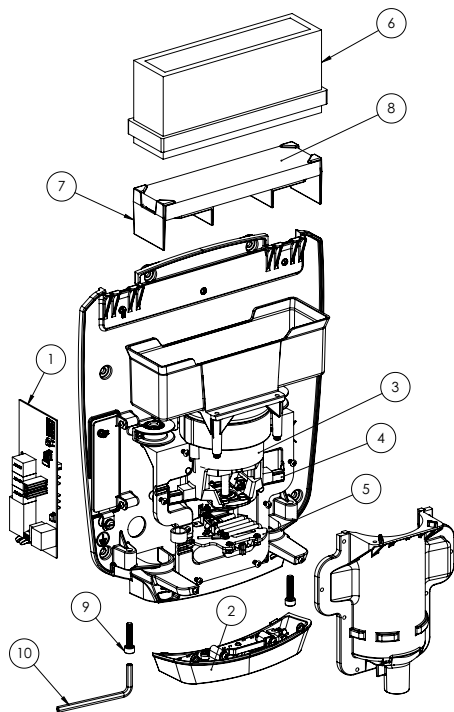


Figura 2

Lista de Partes de Servicio



Para obtener información sobre repuestos, visite www.WorldDryer.com
 Por favor proporcione la siguiente información:

- Número de modelo
- Número de serie
- Descripción de la pieza y número indicado en la lista de piezas

#	Descripción	Número de pieza
1	Conjunto, Controles del Secador Principal	16-10489K
2	Conjunto, Sensor IR con Luces de Acento	49-10505K
3	Conjunto, Motor Eléctrico	32-10268K
4	Conjunto, Cepillos de Motor de Repuesto	32-10337K
5	Conjunto, Elemento Calefactor	21-10306K
6	Filtro, HEPA	93-10490K
7	Accesorio - Filtro Grueso con Soporte	93-10506K
8	Filtro, Partículas Gruesas (para secadoras sin filtro HEPA)	93-10496
9	Conjunto, Tornillos de Seguridad (incluye llave)	46-040221K
10	Llave, a Prueba de Manipulaciones	56-40189

Instrucciones de mantenimiento y limpieza

IMPORTANTE: El secador puede acumular pelusas y residuos que suelen estar presentes en el aire. La acumulación excesiva de pelusa y residuos puede dañar el motor y el elemento calefactor. El secador se debe limpiar de forma periódica para mantenerlo en buenas condiciones de funcionamiento. En baños con un volumen de tráfico ligero a moderado se recomienda limpiarlo una vez al año. Si el volumen de tráfico del baño es alto, se recomienda limpiarlo cada seis meses.

Para limpiar el lavamanos:

1. Desconecte el suministro eléctrico.
2. Utilice la llave hexagonal de seguridad que se proporciona para girar los tornillos de montaje de la cubierta **hacia la derecha**, y separarla del secamanos.
3. Utilice una brocha de cerdas suaves intermedias para limpiar la pelusa, el polvo y los residuos de las ranuras de entrada de aire y del exterior del motor.
4. Después de la limpieza, vuelva a montar la cubierta del secador valiéndose de la llave hexagonal de seguridad que se proporciona para girar los tornillos de montaje de la cubierta **hacia la izquierda**, y apriete hasta fijarla. No apriete demasiado.

Reemplazo del filtro HEPA

Los filtros de absorción de partículas de alta eficiencia (HEPA) eliminan un mínimo de 99.97% de contaminantes de 0.3 micrones o más grande.

La vida útil de un filtro HEPA depende del entorno en el que está instalado y la frecuencia de uso del secador. Los lavabos con un alto volumen de tráfico o uso requerirán inspeccionar y reemplazar el filtro HEPA con mayor frecuencia. En entornos con una cantidad excesiva de polvo y residuos o en lavabos con un alto volumen de tráfico, se recomienda la inspección del filtro HEPA mensualmente. Cuando la inspección visual del filtro HEPA muestre la acumulación excesiva de pelusa, polvo y residuos, se debe reemplazar el filtro.

La inspección y reemplazo periódicos del filtro HEPA mantiene el funcionamiento eficiente de los secamanos. Operar un secamanos con un filtro excesivamente sucio u obstruido puede dañar la máquina.

El filtro HEPA no se puede limpiar ni reutilizar. No limpie el filtro HEPA, ni permita que entre en contacto con el agua.

Para reemplazar o limpiar el filtro HEPA:

1. Desconecte el suministro eléctrico.
2. Utilice la llave hexagonal de seguridad que se proporciona para girar los tornillos de montaje de la cubierta **hacia la derecha**, y separarla del secamanos.
3. La extracción y el reemplazo del filtro HEPA se realiza fácilmente levantando el filtro hacia arriba de la carcasa del filtro. Al reemplazar el filtro, asegúrese de que el sello exterior negro del filtro esté insertado dentro de la carcasa del filtro.
4. Después reemplazar el filtro HEPA, vuelva a montar la cubierta del secador valiéndose de la llave hexagonal de seguridad que se proporciona para girar los tornillos de montaje de la cubierta **hacia la izquierda**, y apriete hasta fijarla. No apriete demasiado.
5. Vuelva a conectar el suministro eléctrico.

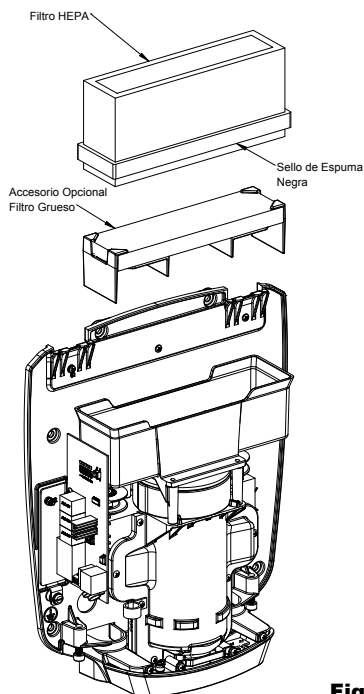


Figura 3

Filtros de partículas gruesas

Filtros de aire de partículas gruesas evitar la acumulación de pelusa y restos de materiales que podrían averiar el motor y el elemento calefactor. Es necesario limpiar o reemplazar el filtro de aire de manera rutinaria para mantener el secamanos en buenas condiciones de funcionamiento. Si el uso del baño es leve o moderado, se recomienda reemplazar o limpiar el filtro de aire una vez al año. Si el uso del baño es intenso, se recomienda reemplazar o limpiar el filtro de aire cada 6 meses. To replace or clean the coarse particulate air filter:

Para reemplazar o limpiar el filtro de aire de partículas gruesas:

1. Desconecte el suministro eléctrico.
2. Utilice la llave hexagonal de seguridad que se proporciona para girar los tornillos de montaje de la cubierta **hacia la derecha**, y separarla del secamanos.
3. Se puede extraer y volver a colocar fácilmente el filtro de aire elevando el soporte del filtro hacia arriba fuera de la carcasa del filtro. El filtro grueso debe retirarse del soporte para limpiarlo o reemplazarlo.
4. Elimine la pelusa, el polvo y los restos de materiales del filtro con una brocha con cerdas de rigidez suave-intermedia de 1,3 cm. Si no puede eliminar todos los restos de materiales del filtro, reemplácelo.
5. Vuelva a montar la cubierta del secador valiéndose de la llave hexagonal de seguridad que se proporciona para girar los tornillos de montaje de la cubierta **hacia la izquierda**, y apriete hasta fijarla. No apriete demasiado.
6. Vuelva a conectar el suministro eléctrico.

Luces LED de diagnóstico

El tablero de circuitos impresos incluye un conjunto de luces LED que indica el estado de funcionamiento del secamanos. Al comunicarse con el servicio técnico de World Dryer, esté preparado para retirar la cubierta del secamanos e indicarnos el estado de las luces LED, ya que pueden ser útiles para solucionar problemas de funcionamiento. Consulte la figura 1 para ver la ubicación de las luces LED de diagnóstico en el tablero de circuitos impresos. Consulte la Tabla 4 para leer una explicación de la función de los LED.

Función de las luces LED de diagnóstico

Tabla 4

Falla	Sensor de IR	Acelerar	Tensión de Alimentación		Indicación
			LED 2	LED 1	
LED 5	LED 4	LED 3	LED 2	LED 1	
Luz Intermitente					Voltaje fuera del rango normal
			EN	EN	El voltaje de alimentación detectado es de 120 V
			EN	APAGADA	El voltaje de alimentación detectado es de 208 V
			APAGADA	EN	El voltaje de alimentación detectado es de 240 V
			APAGADA	APAGADA	El voltaje de alimentación detectado es de 277 V
		EN			La velocidad del ventilador se establece en Med o Low
		APAGADA			La velocidad del ventilador está configurada en Alto (predeterminado)
	EN				El sensor IR detecta manos
	APAGADA				Sin detección de sensor IR

Tabla de identificación de problemas

La secadora no arranca.	Fuente de alimentación entrante	Confirme que el interruptor automático esté encendido y que el circuito esté activo.
	Sensor bloqueado	Compruebe si el LED 4 parpadea en la PCB principal. Si el LED 4 está encendido / apagado parpadeante, revise la lente del sensor por obstrucción o material extraño. Limpie la lente con un paño suave y húmedo y un agente de limpieza suave. Verifique y retire cualquier objeto o superficie reflectante a menos de 18 pulgadas (46 cm) debajo de la secadora.
	PCB defectuoso	Si no hay LED activos en la PCB principal, presione el botón de control de velocidad en la PCB principal. Si el LED 3 no se activa después de presionar el botón, reemplace la PCB principal.
	Sensor defectuoso	Si se confirma que la fuente de alimentación y la PCB principal están activas, y el LED 4 no se enciende cuando se colocan las manos debajo de la secadora, reemplace el sensor IR.
	Cepillos de motor al final de la vida útil	Compruebe las escobillas del motor y reemplace si necesitar.
	Elemento calefactor defectuoso (Importante: se aplica solo cuando está conectado a la fuente de alimentación 208 - 277V)	Si la secadora está conectada a una fuente de alimentación de 208 - 277V y se han eliminado todas las demás causas posibles, reemplace el elemento calefactor.
Secadora demasiado fuerte.	Ajuste la configuración de velocidad del secador	Ajuste la velocidad del ventilador a una velocidad más lenta. Consulte la página 12. Cuando se opera a velocidad MED o BAJA, se activará el LED 3.
La temperatura del aire es demasiado fría. Los función de calentamiento del secador de manos fluctúa / se enciende y apaga durante un ciclo de el secado. La velocidad del secador de manos fluctúa / sube y baja durante un ciclo de secado.	Elemento calefactor defectuoso (Importante: se aplica solo cuando está conectado a una fuente de alimentación de 120 V)	Reemplace el elemento calefactor.
El secamanos funcionará solamente durante varios segundos y a continuación se parará. El secamanos no se activa todas las veces.	Cepillos de motor al final de la vida útil	Compruebe las escobillas del motor y reemplace si necesitar.
	Elemento calefactor defectuoso (Importante: se aplica solo cuando está conectado a la fuente de alimentación 208 - 277V)	Reemplace el elemento calefactor.

Garantie limitée

GARANTÍA LIMITADA DE DIEZ AÑOS DE WORLD. El secamanos World Warm Air, modelo descrito en este manual, está garantizado por World Dryer Corporation contra defectos de mano de obra o materiales en condiciones de uso normal durante 10 años a partir de la fecha de compra, excepto el motor (7 años) y el sensor (7 años). Esta garantía excluye el desgaste normal y las piezas desechables como filtros HEPA, cepillos de motor e iluminación de acento. Cualquier pieza que se halle defectuosa, ya sea en el material o en la mano de obra, y sea devuelta, con los costos de envío pagados por adelantado, será reparada o reemplazada a discreción de World como recurso exclusivo. Para obtener información relacionada con los procedimientos de reclamación provistos por la garantía limitada, consulte más adelante la sección ATENCIÓN OPORTUNA. Esta garantía limitada confiere al comprador derechos específicos que varían de una jurisdicción a otra.

LÍMITES DE RESPONSABILIDAD. En la medida en que las leyes correspondientes lo permitan, se excluye expresamente la responsabilidad de World Dryer por daños indirectos o menores. La responsabilidad de World Dryer se limita al precio de compra pagado, el cual no se sobrepasará.

EXCLUSIÓN DE RESPONSABILIDAD DE LA GARANTÍA. World Dryer se ha esforzado diligentemente en proporcionar a través de este manual información e ilustraciones referentes al producto; sin embargo, esta información y estas ilustraciones tienen como único fin la identificación del producto, y no expresan ni implican garantía de que los productos sean COMERCIALESni IDÓNEOS PARA UN FIN EN PARTICULAR, ni que se ajusten necesariamente a las ilustraciones o descripciones. Con excepción de lo que se establece a continuación, World Dryer no hace ni autoriza ninguna garantía ni afirmación de hecho, explícita o implícita, que no se estipule en la "GARANTÍA LIMITADA" anterior.

IDONEIDAD DEL PRODUCTO. Muchas jurisdicciones tienen códigos o reglamentos sobre la venta, el diseño, la instalación y el uso de productos para ciertas aplicaciones; dichas leyes pueden variar de una zona a otra. Si bien World trata que los productos cumplan con estos códigos, no puede garantizar su cumplimiento ni puede hacerse responsable de la forma en que se instale o utilice el producto. Antes de comprar y utilizar el producto, revise su aplicación y todos los códigos y reglamentos nacionales y locales correspondientes, y asegúrese de que el producto, la instalación y el uso cumplan con ellos.




Ciertos aspectos de las limitaciones de responsabilidad no se aplican a los productos de consumo; es decir (a) algunas jurisdicciones no permiten la exclusión o limitación de daños menores o indirectos, por lo cual la limitación o exclusión anterior quizás no se aplique en su caso; (b) asimismo, algunas jurisdicciones no permiten limitar el plazo de las garantías implícitas, por lo cual la limitación anterior quizás no se aplique en su caso; y (c) por ley, mientras estén vigentes, no pueden excluirse ni de ninguna otra manera denegarse la Garantía Limitada ni las garantías implícitas de comerciabilidad o idoneidad para un cierto fin que correspondan a los productos de consumo adquiridos por los consumidores.

Fabricado por World Dryer Corporation, Bensenville, Illinois 60106 EE.UU.

ATENCIÓN OPORTUNA. World Dryer hará un esfuerzo de buena fe para corregir oportunamente o hacer otros ajustes relacionados con cualquier producto que resulte defectuoso dentro de los términos de esta garantía limitada. En el caso de que encuentre un producto defectuoso y que esté cubierto dentro de los límites de esta garantía haga el favor de escribir primero, o llame, al distribuidor donde compró el producto. El distribuidor le dará instrucciones adicionales. Si no logra resolver el problema de forma satisfactoria, escriba a World a la siguiente dirección, y proporcione el nombre y la dirección del distribuidor así como la fecha y el número de su factura, y describa la naturaleza del defecto. La propiedad del artículo y el riesgo de pérdida pasan al comprador en el momento de la entrega del artículo a la compañía de transporte. Si el producto se daña durante el transporte, debe presentar su reclamación a la compañía transportista.

Caractéristiques électriques

Tableau 1

Modèles	Type	Valeurs électriques nominales	Homologations
Q-XXXV2	Automático	115 / 208 / 230 VAC 950W 50/60Hz 277 VAC 1150W 50/60Hz	   IP24

Consignes générales de sécurité

DANGER

Négliger de débrancher la source d'alimentation avant de procéder à l'installation ou à l'entretien peut entraîner des blessures graves ou mortelles provoquées par une décharge électrique. Toujours débrancher la source d'alimentation avant de réparer ou d'installer le sèche-mains.

Brancher cet appareil à la terre sous peine de décharge électrique grave et/ou de mort. Pour un fonctionnement sans danger, ce sèche-mains doit être correctement mis à la terre. Un point de mise à la terre est identifié sur la base murale du sèche-mains.

AVERTISSEMENT

Un risque d'incendie, de blessures ou de dommages matériels est possible en cas de non-respect des codes locaux en vigueur ou des recommandations de sécurité. Cette sècheuse doit être installée conformément aux codes électriques locaux en vigueur tels que le NEC (National Electrical Code) ou le CEC (Canadian Electrical Code).

Cet appareil n'est pas prévu pour une utilisation par de jeunes enfants ou des personnes avec des incapacités physiques, sensorielles ou mentales sauf s'ils sont correctement supervisés par quelqu'un de responsable permettant de garantir l'utilisation sans danger de l'appareil. Les jeunes enfants doivent être supervisés pour garantir qu'ils ne joueront pas avec l'appareil. Utilisez cette sècheuse uniquement pour l'usage auquel elle est destinée. Ne pas utiliser comme sèche-cheveux.

L'installation et la maintenance doivent uniquement être réalisées par des électriciens qualifiés. N'utiliser que le électrique tension et fréquence spécifié pour le modèle de sèche-mains en cours d'installation. Connectez le sèche-mains à un panneau de distribution approprié avec un moyen de déconnexion conforme aux codes de câblage locaux et ayant une puissance électrique supérieure à celle indiquée sur l'étiquette de puissance de la sècheuse. Utilisez un fil n° 14 AWG (2,08 mm²) ou plus grand. Ne connectez pas à un circuit d'alimentation fournissant un éclairage ou d'autres appareils. Le sèche-linge doit être connecté à un circuit indépendant. Le circuit d'alimentation ne doit pas être alimenté par un dispositif de commutation externe, tel qu'une minuterie, ou connecté à un circuit qui est régulièrement allumé et éteint par le fournisseur d'électricité. Utilisez des raccords avec les surfaces lisses et arrondies pour la protection des câbles. Éloigner tout le câblage des composants en mouvement à l'intérieur du sèche-mains.

 **AVERTISSEMENT** Cancer et effets néfastes sur la reproduction - www.p65warnings.ca.gov

ATTENTION

Un montage incorrect peut provoquer des blessures personnelles ou des dommages matériels. Suivre les recommandations de hauteur de montage au tableau 2. Sur un mur à poteaux d'ossature, un côté du sèche-mains doit être monté sur un poteau existant

Déballage

Déballer tous les articles de la boîte d'expédition. Les articles emballés doivent comprendre un sèche-mains, un manuel du propriétaire, un gabarit de montage et une clé inviolable. Examinez et signalez tout élément manquant ou endommagé.

Installation

1. Débranchez la source d'alimentation du panneau de distribution.
2. Déterminez la hauteur de montage recommandée pour le sexe / l'âge (tableau 2). Sélectionnez un emplacement de montage où aucune surface réfléchissante (comptoir ou lavabo) n'est située à moins de 18 po (46 cm) sous la sècheuse. Évitez de monter là où le sèche-linge peut être directement exposé à la lumière naturelle (lumière du soleil). Lors du montage à côté d'une sècheuse existante, les sècheuses doivent être espacées d'au moins 24 po (61 cm).
3. Sélectionnez l'accès aux connexions électriques par l'arrière ou le bas de la plaque de montage de la sècheuse correspondant à l'accès au câblage d'alimentation.
4. À l'aide du gabarit de montage fourni, marquez les emplacements des trous de boulons de montage sur le mur. Pour les murs à montants, assurez-vous qu'au moins un emplacement de fixation sera fixé à un montant.
5. Utilisez la clé inviolable fournie pour desserrer les vis de montage du couvercle (tournez les vis dans le sens des aiguilles d'une montre) pour retirer le couvercle du sèche-linge.
6. Fixez la base au mur à l'aide du type de boulons recommandé (tableau 3).
7. Connectez la sècheuse au câblage d'alimentation.
8. Remettez le couvercle en place, serrez les vis de montage du couvercle (tournez les vis dans le sens inverse des aiguilles d'une montre) en veillant à ne pas trop serrer.
9. Connectez la source d'alimentation au panneau de distribution.

Tableau 2

Hauteurs de montage recommandées (Du sol au bord inférieur de la sècheuse)	cm (po)
Toilettes pour hommes	117 (46)
Toilettes pour femmes	112 (44)
Toilettes pour enfants de 4 à 7 ans	81 (32)
Toilettes pour enfants de 7 à 10 ans	91 (36)
Toilettes pour enfants de 10 à 13 ans	102 (40)
Toilettes pour enfants de 13 à 17 ans	112 (44)
Hauteur de montage pour les personnes handicapées	94 (37)

Tableau 3

Type de mur	Type de boulon
Parpaing creux, lattis, panneau mural ou métal	Boulons type à vis M5 (no 10) ou boulons à ailettes
Ciment, brique ou ciment ou brique carrelés	Boulons à coquille d'expansion du type à goujon M5 (no 10)
Mur à poteaux avec fond de clouage en bois	Vis à bois no 12 (M5.5)

Réglage de la vitesse de la soufflerie

Ces modèles incluent une commande de réglage de vitesse de soufflerie pour (3) niveaux de fonctionnement – grande vitesse (Hi), moyen vitesse (MED) et basse vitesse (Low). Le sélecteur se trouve sur la carte de circuits imprimés dans le sèche-main, comme illustré à la figure 1 ci-dessous.

Remarque : Le réglage usine pour la commande de réglage de vitesse de soufflerie est « Hi ».

Pour régler la vitesse de la soufflerie :

1. Débrancher de l'alimentation.
2. Utiliser la clé à six pans fournie pour tourner les vis de fixation du couvercle **dans le sens horaire** afin d'enlever le couvercle du sèche-mains.
3. Situer le sélecteur sur la carte de circuits imprimés à l'intérieur du sèche-mains comme illustré à la figure 1 ci-dessous et ajuster la vitesse de la soufflerie comme souhaité. (Remarque : Lorsque la vitesse moyenne ou faible est sélectionnée, la LED 3 sur le circuit imprimé s'allume.)

Remonter le couvercle du sèche-mains à l'aide de la clé à six pans fournie pour tourner les vis de montage du couvercle **dans le sens anti-horaire** et bien serrer. Ne pas trop serrer.

4. Rebrancher sur l'alimentation.

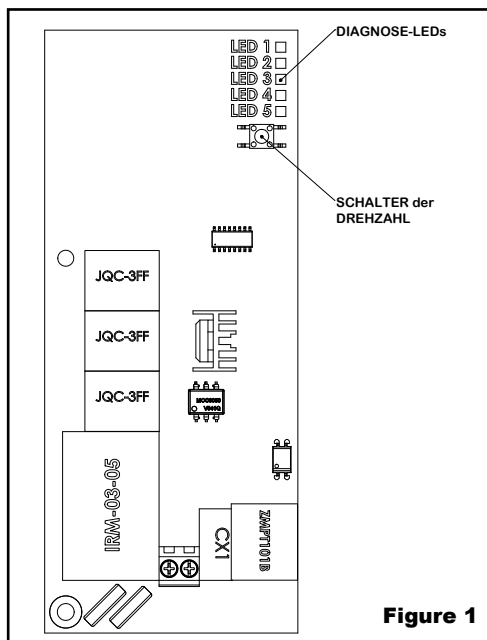


Figure 1

Éclairage d'Accentuation

L'éclairage d'accentuation de la sècheuse peut être réglé pour fonctionner en continu ou uniquement lorsque la sècheuse est activée pour le séchage des mains (réglage d'usine par défaut). Le fonctionnement le plus économe en énergie est avec le réglage d'usine par défaut. Pour changer le mode d'éclairage, appuyez sur le commutateur de mode d'éclairage illustré à la figure 2 ci-dessous.

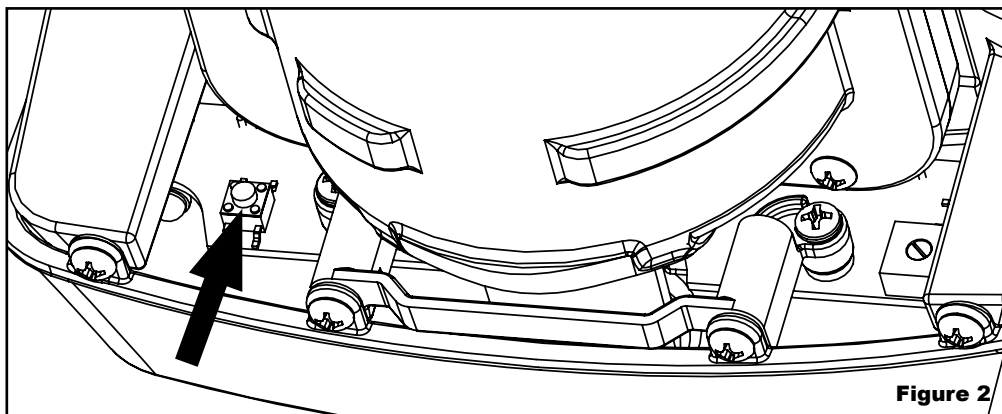
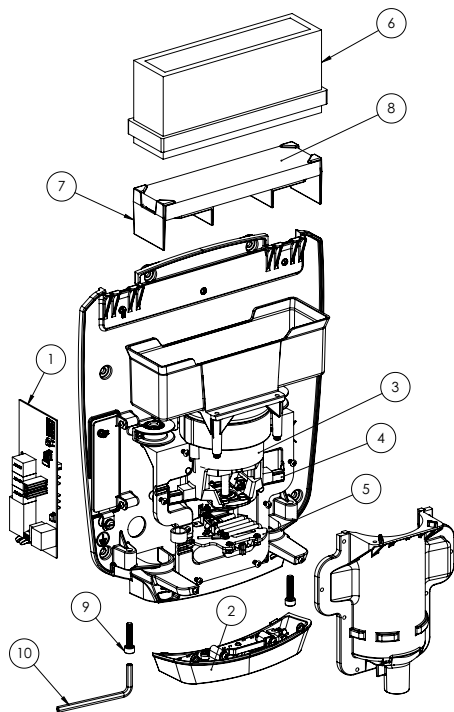


Figure 2

Liste des Pièces de Rechange



Pour commander les pièces détachées,
allez sur le site www.WorldDryer.com

Fournissez les renseignements suivants:

- Numéro de modèle
- Numéro de série
- La description et le numéro de pièce apparaissent dans la liste des pièces

#	Description	Numéro de référence
1	Ensemble, Commandes de la Sécheuse Principale	16-10489K
2	Ensemble, Capteur IR avec Lumières d'Accentuation	49-10505K
3	Ensemble, Moteur	32-10268K
4	Ensemble, Balais de Moteur de Rechange	32-10337K
5	Ensemble, Élément Chauffant	21-10306K
6	Filtre, HEPA	93-10490K
7	Accessoire - Filtre Grossier avec Support	93-10506K
8	Filtre, Particules Grossières (pour séchoirs sans filtre HEPA)	93-10496
9	Ensemble, Vis de Sécurité (comprend une clé)	46-040221K
10	Clé, Inviolable	56-40189

Instructions d'entretien et de nettoyage

IMPORTANT : Le sèche-mains peut collecter peluches et débris qui sont naturellement présents dans l'air. L'accumulation excessive de peluches et de débris risque d'endommager le moteur et l'élément chauffant. Pour continuer à bien fonctionner, le sèche-mains doit être régulièrement nettoyé. En se basant sur une fréquentation légère à moyenne des lieux, un nettoyage annuel est recommandé. Si la fréquentation est plus importante, un nettoyage tous les 6 mois est recommandé.

Pour nettoyer le sèche-mains :

1. Débrancher de l'alimentation.
2. Utiliser la clé à six pans de sécurité fournie pour tourner les vis de fixation du couvercle **dans le sens horaire** afin d'enlever le couvercle du sèche-mains.
3. Utiliser un pinceau à soies douces-moyennes pour nettoyer les peluches, la poussière et les débris des bouches d'arrivée d'air et l'extérieur du moteur.
4. Après nettoyage, remonter le couvercle du sèche-mains à l'aide de la clé à six pans fournie pour tourner les vis de montage du couvercle **dans le sens anti-horaire** et bien serrer. Ne pas trop serrer.

Remplacement du filtre HEPA

Les filtres d'absorption des particules à haute efficacité (HEPA) éliminent au moins 99,97% des contaminants 0,3 microns de taille ou plus.

La durée utile d'un filtre HEPA dépend de l'environnement dans lequel le sèche-mains est installé et de sa fréquence d'utilisation. Les toilettes très fréquentées exigeront l'inspection et le remplacement plus fréquents du filtre HEPA. Dans les environnements très poussiéreux et sales ou dans les toilettes très fréquentées, une inspection mensuelle du filtre HEPA est recommandée. Lorsque l'inspection visuelle du filtre HEPA indique une accumulation excessive de peluches, poussières et débris, remplacer le filtre.

L'examen et le remplacement réguliers du filtre HEPA permet de maintenir le fonctionnement efficace du sèche-mains. L'utilisation d'un sèche-mains avec un filtre excessivement sale ou bouché risque d'endommager l'appareil.

Le filtre HEPA ne peut pas être nettoyé et réutilisé. Ne pas nettoyer le filtre HEPA ni le laisser entrer en contact avec de l'eau.

Pour inspecter ou remplacer le filtre HEPA :

1. Débrancher de l'alimentation.
2. Utiliser la clé à six pans de sécurité fournie pour tourner les vis de fixation du couvercle **dans le sens horaire** afin d'enlever le couvercle du sèche-mains.
3. Le retrait et le remplacement du filtre HEPA se font facilement en soulevant le filtre vers le haut hors du boîtier du filtre. Lors du remplacement du filtre, assurez-vous que le joint extérieur noir du filtre est inséré à l'intérieur du boîtier du filtre.
4. Après avoir remplacé le filtre à air, remonter le couvercle du sèche-mains à l'aide de la clé à six pans fournie pour tourner les vis de montage du couvercle **dans le sens anti-horaire** et bien serrer. Ne pas trop serrer.
5. Rebrancher sur l'alimentation.

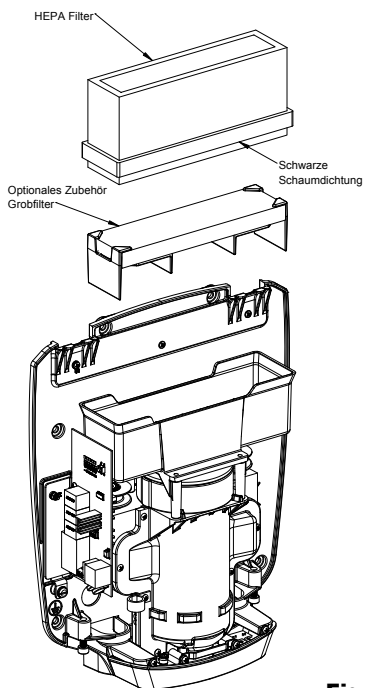


Figure 3

Filtere à grosses particules

Le filtre à particules grossières accessoire en option empêche l'accumulation de peluches et de débris qui peuvent endommager le moteur électrique et l'élément chauffant. Le remplacement ou le nettoyage régulier du filtre à air est nécessaire pour maintenir le sèche-mains en bon état de fonctionnement. Avec une fréquentation légère à modérée des lieux, un remplacement ou un nettoyage annuel est recommandé. Avec une plus forte fréquentation, le filtre à air doit être remplacé ou nettoyé tous les 6 mois.

Pour remplacer ou nettoyer le filtre à grosses particules :

1. Débrancher de l'alimentation.
2. Utiliser la clé à six pans de sécurité fournie pour tourner les vis de fixation du couvercle dans le sens horaire afin d'enlever le couvercle du sèche-mains.
3. Le retrait et le remplacement du filtre à air se font facilement en soulevant le support de filtre vers le haut hors du boîtier de filtre. Le filtre grossier doit être retiré du support pour le nettoyage ou le remplacement.
4. Utiliser un pinceau de 1,3 cm (1/2 po) à soies douces-moyennes pour nettoyer les peluches, la poussière et les débris du filtre. Si le filtre à air ne peut pas être complètement nettoyé, le remplacer. Insérez le filtre nettoyé ou de remplacement dans le support et remplacez-le dans le boîtier du filtre.
5. Remonter le couvercle du sèche-mains à l'aide de la clé à six pans fournie pour tourner les vis de montage du couvercle dans le sens anti-horaire et bien serrer. Ne pas trop serrer.
6. Rebrancher sur l'alimentation

DEL diagnostiques

La carte de circuits imprimés inclut un ensemble de DEL indiquant l'état opérationnel du sèche-mains. Au moment de contacter le service technique World Dryer, se tenir prêt à déposer le couvercle du sèche-mains et à communiquer l'état de la DEL dans la mesure où ce renseignement servira à diagnostiquer le problème. Pour l'emplacement des DEL diagnostiques sur la carte de circuits imprimés, voir la figure 1. Pour une interprétation des DEL, voir le tableau 4.

Interprétation des DEL diagnostiques

Tableau 4

D'erreur	Capteur IR	Paramètres de vitesse	Tension d'alimentation		Indication
			LED 2	LED 1	
LED 5	LED 4	LED 3	LED 2	LED 1	
Clignoter					Tension en dehors de la plage normale
			Allumer	Allumer	La tension détectée est de 120 V
			Allumer	Éteint	La tension détectée est de 208 V
			Éteint	Allumer	La tension détectée est de 240 V
			Éteint	Éteint	La tension détectée est de 277 V
		Allumer			Vitesse est réglée sur Med ou Low
		Éteint			Vitesse est réglée sur Élevée (par défaut)
	Allumer				Capteur IR détecte les mains
	Éteint				Pas de détection de capteur IR

Tableau de dépannage

Le sèche-mains ne démarre pas.	Entrée d'Alimentation	Vérifiez que le disjoncteur est activé et que le circuit est actif.
	Capteur Verrouillé	Retirez le couvercle de la sècheuse, vérifiez si la LED 4 clignote sur le PCB principal. Si la LED 4 clignote, vérifiez que la lentille du capteur n'est pas obstruée. Nettoyez la lentille avec un chiffon doux et humide et un détergent doux. Recherchez et retirez tout objet ou surface réfléchissante situé à moins de 46 cm (18 pouces) sous le sèche-linge.
	PCB Défectueux	Si aucune LED n'est allumée sur le PCB principal, appuyez sur le bouton-poussoir de contrôle de vitesse sur le PCB principal. Si la LED 3 ne s'allume pas après avoir appuyé sur le bouton-poussoir, remplacez le PCB principal.
	Capteur Défectueux	Si l'alimentation électrique et le PCB principal sont confirmés comme étant actifs et que la LED 4 ne s'allume pas lorsque les mains sont placées sous le sèche-linge, remplacez le capteur infrarouge.
	Balais du moteur en fin de vie utile	Vérifier les balais du moteur et les remplacer si nécessaire.
	Élément chauffant défectueux (Important : s'applique seulement lors d'un branchement sur du 208 à 277 V)	Si le sèche-mains est branché sur du 208 à 277 V et que toutes les autres causes possibles ont été vérifiées, remplacer l'élément chauffant.
Sèche-mains trop bruyant.	Réglage de vitesse du sèche-mains	Réglez la vitesse du ventilateur pour réduire la vitesse. Voir page 20. En fonctionnement à vitesse MED ou LOW, la LED 3 sera allumée.
La température de l'air est trop basse. La chaleur produite par le sèche-mains fluctue/s'allume et s'éteint en cours de cycle de séchage. La vitesse de la soufflerie du sèche-mains fluctue en cours de cycle de séchage.	Élément chauffant défectueux (Important : s'applique seulement lors d'un branchement sur du 120 V)	Remplacer l'élément chauffant.
Le sèche-mains fonctionne quelques secondes, puis s'arrête. Le sèche-mains ne s'active pas à chaque fois.	Balais du moteur en fin de vie utile	Vérifier les balais du moteur et les remplacer si nécessaire.
	Élément chauffant défectueux (Important : s'applique seulement lors d'un branchement sur du 208 à 277 V)	Remplacer l'élément chauffant.

Garantie limitée

GARANTIE LIMITÉE DE DIX ANS de World. Le modèle de sèche-mains World Dryer couvert dans ce manuel est garanti par World Dryer Corporation à l'acheteur d'origine contre tout défaut de fabrication ou de matériau dans des conditions d'utilisation normales pendant 10 ans à compter de la date d'achat, sauf moteur (7 ans) et capteur (7 ans). Cette garantie exclut l'usure normale et les pièces consommables telles que les filtres HEPA, les brosses à moteur et l'éclairage d'accentuation. Toute pièce présentant un défaut de fabrication ou de matériau et retournée à un centre de service agréé, tel que désigné par World, port payé, sera réparée ou remplacée, au choix de World, à titre de recours exclusif. Voir les procédures de réclamations sous garantie à la section « RÉGLEMENT RAPIDE », ci-dessous. Cette garantie limitée accorde aux acheteurs des droits particuliers qui varient selon les juridictions.

LIMITES DE RESPONSABILITÉ. Dans la mesure permise par la loi en vigueur, World décline expressément toute responsabilité pour dommage consécutif ou accessoire. La responsabilité de World est dans tous les cas limitée et ne saurait dépasser le prix d'achat.

EXONÉRATION DE GARANTIE. World s'est efforcée d'illustrer et de décrire avec exactitude les produits de cette brochure. Toutefois, ces illustrations et ces descriptions ne sont données qu'aux fins d'identification et ne constituent pas une garantie expresse ou implicite que les produits sont de QUALITÉ MARCHANDE ou ADAPTÉS À UN USAGE PARTICULIER, ou qu'ils seront nécessairement conformes aux illustrations ou aux descriptions fournies. Sauf ce qui est stipulé ci-dessous, aucune garantie ou affirmation de fait, expresse ou implicite, autre que celle énoncée à la section « GARANTIE LIMITÉE » ci-dessus, n'est fournie ou autorisée par World.

ADÉQUATION DU PRODUIT. Dans de nombreuses juridictions, les normes et les règles qui régissent les ventes, la construction, l'installation et/ou l'utilisation de produits à certaines fins peuvent être différentes de celles des régions avoisinantes. Bien que World se soit efforcée de rendre ses produits conformes à ces codes, la société ne peut en garantir la conformité et ne saurait être responsable de la manière dont les produits sont installés ou utilisés. Avant d'acheter et d'utiliser un produit, il est conseillé d'étudier son application ainsi que les normes et règlements nationaux et locaux, et de s'assurer que le produit, son installation et son utilisation y sont conformes.

Certains aspects des exonérations de garantie ne sont pas applicables aux produits de consommation. Par exemple, (a) certaines juridictions n'autorisent pas l'exclusion ou la limitation des dommages accessoires ou consécutifs, de sorte que ladite limitation ou exclusion peut ne pas s'appliquer à votre situation; (b) de plus, certaines juridictions n'autorisant pas de limiter la durée d'une garantie implicite, il se peut que la limite mentionnée ci-dessus ne s'applique pas à votre situation; et (c) en vertu de la loi, au cours de la période de garantie limitée, toute garantie implicite de valeur marchande ou d'adéquation à un usage particulier applicable aux produits de consommation achetés par des consommateurs, est susceptible de ne pas pouvoir être exclue ou autrement exonérée.

Fabriqué par World Dryer Corporation, Bensenville, Illinois 60106 États-Unis

RÉGLEMENT RAPIDE. World s'efforcera en toute bonne foi d'apporter rapidement les corrections ou les ajustements prévus à tout produit qui s'avère défectueux au cours de la période de garantie limitée. Pour tout produit jugé défectueux au cours de la période de garantie limitée, contacter tout d'abord le marchand chez qui l'appareil a été acheté. Le marchand fournira des instructions supplémentaires. S'il est impossible de résoudre le problème de façon satisfaisante, écrire à World à l'adresse ci-dessous, en indiquant le nom et l'adresse du marchand, la date et le numéro de la facture du marchand, ainsi que la nature de la défectuosité. Le titre et le risque de perte passent à l'acheteur au moment de la livraison par le transporteur. Si le produit a été endommagé pendant le transport, une réclamation doit être adressée auprès du transporteur.

