



## ORA-PA15 Series Drive-Through/Service Counters Air Curtain

**FRICO**



IP20

**An air curtain is a thermal barrier that creates separate climatic zones and saves energy.**

- Sleek and stylish design.
- Easy-access control buttons to adjust fan and heating levels.
- Tested in one of the most cutting-edge laboratories in terms of air and sound, guaranteeing a high-performance product.
- Certify INTL as per: CAN/CSA-E60335-2-30:13 (R2018) and UL 2021 Ed. 4.0 Standards.
- One-year warranty against any defects.

## Modèles

Volts (1 ph)	Product #	kW Lo/Hi	FLA <sup>1</sup>	Air Flow (m <sup>3</sup> /hr)	dBA <sup>2</sup>	Weight	
						lb	kg
208	PA1508E02NA	1.7/2.4	13	380	50	17	7.7
208	PA1508E04NA	2.5/3.7	19	380	50	17	7.7

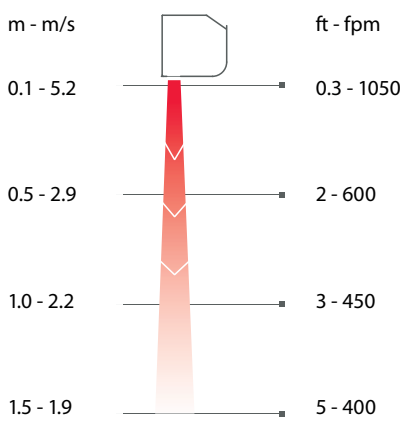
To order any custom colors from the R.A.L. chart, add "SP" at the end of the Product # and specify RAL color # on the order. When ordering a different color, inquire about delivery times and prices. Contact our customer service department for lead times.

<sup>1</sup> FLA: total amperage for motor and heat.

<sup>2</sup> Sound pressure (dBA) Conditions: Distance to the unit 5 m. Directional factor: 2. Equivalent absorption area: 200 m<sup>2</sup>. At highest air flow.

Above table is valid for 208V, 1ph, 60Hz. Also approved for 230V, 1ph, 60Hz. Product performance for 230V, 1ph, 60Hz will differ from stated data.

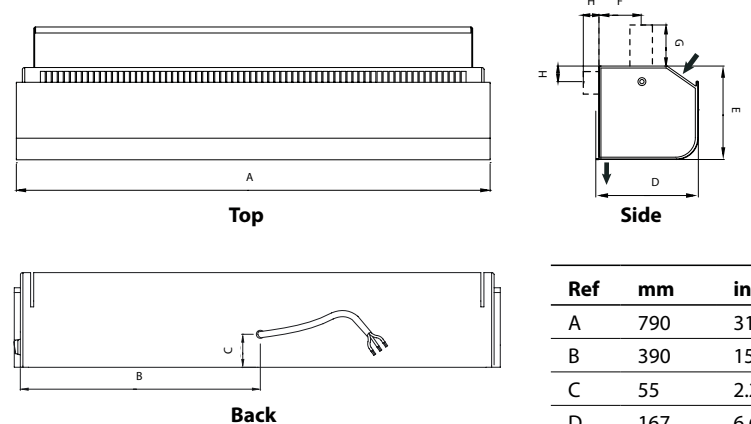
### Air velocity profile



m - m/s	ft - fpm
0.1 - 5.2	0.3 - 1050
0.5 - 2.9	2 - 600
1.0 - 2.2	3 - 450
1.5 - 1.9	5 - 400

Measurements according to AMCA 220-05.  
Average values for products in the series.

### Dimensions



Ref	mm	in
A	790	31.1
B	390	15.4
C	55	2.2
D	167	6.6
E	154	6.1
F	70	2.8
G	67	2.6
H	25	1.0