



# OUE-XET1-1-W-N-A

## Electronic Thermostat Installation and Maintenance Manual

**EX** SERIES  
**Caliber**™

### Hazardous Location Ratings

#### Gas Atmospheres (Can & US)

Class I, Div. 1, Groups B, C & D, T6  
Class I, Zone 1, AEx db, Group IIB+H<sub>2</sub>, T6, Gb  
Ex db, Group IIB+H<sub>2</sub>, T6, Gb  
-50°C ≤ T<sub>amb</sub> ≤ +40°C, IP66, Type 4  
(Thermostats with the conduit mount base housing are certified to Groups C,D and IIB only.)



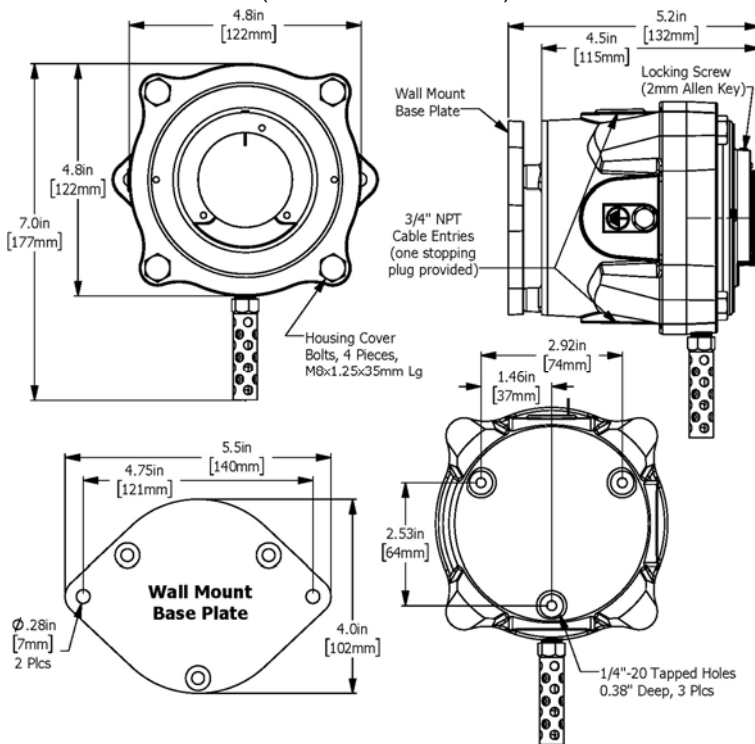
And

#### Dust Atmospheres (Can & US)

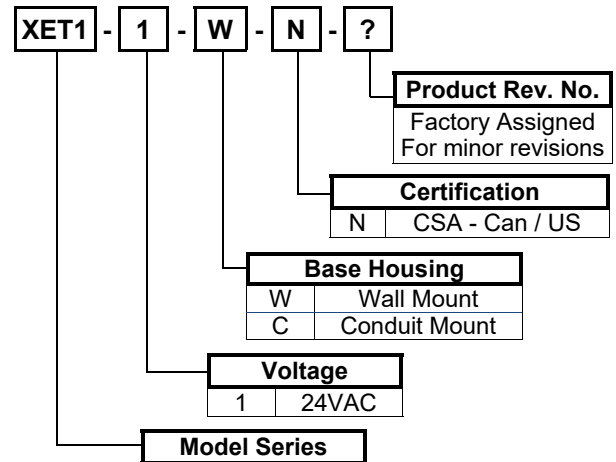
Class II, Div. 1, Groups E, F & G  
Class II, Div. 2, Groups F, & G: Class III, T6  
Class II, Zone 21, AEx tb, Group IIIC, T85°C Db  
Ex tb, Group IIIC, T85°C Db  
-50°C ≤ T<sub>amb</sub> ≤ +40°C, IP66, Type 4

### Dimensions

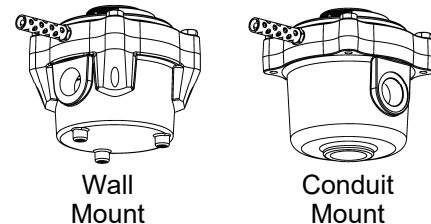
(wall mount thermostat)



### XET1 Model Coding



### Base Housing Options



### Specifications

- Temperature adjustment range is 5°C to 25°C (40°F to 80°F).
- Temperature differential (hysteresis) = +/- 1°C (+/- 1.8°F) from set point.
- **Electrical Ratings:** 24VAC, 1 Amp continuous, 50/60 Hz.
- PILOT DUTY: 24 VA @ 24VAC (120 VA Inrush)
- Storage temperature: -50°C to +60°C (-58°F to 140°F).
- Heating applications only.

### Routine Maintenance

- For optimal operation remove excess dust / debris using compressed air.
- Ensure all field wiring connections are secure and free of excess wear.
- Ensure all stopping plugs, blanking elements, and fittings are tight and secure.

### Operation

- Temperature set point can be locked via the set screw located behind the 15°C mark. **Use a 2mm allen key to lock / unlock the set screw.**
- Rotate the temperature adjustment knob until the desired set temperature is indicated by the pointer.
- Thermostat is factory calibrated. Thermostat cannot be calibrated in the field.

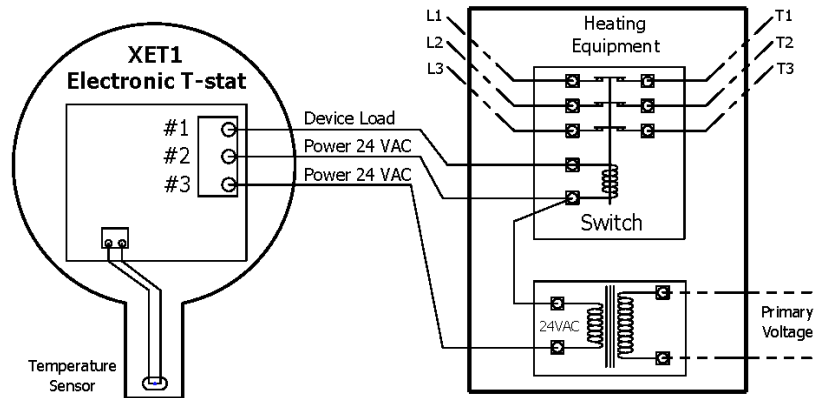
## Conditions For Safe Use

- The thermostat must not be physically modified in any way.
- Thermostat can be mounted in a wall mount type, horizontal orientation, or a bench top type, vertical orientation.
- The thermostat does not have any field replaceable or repairable components. Any component replacement or repair performed in the field may void the hazardous certification ratings.
- When tightly closed the cover flamepath gap must not exceed 0.0015" (0.04mm).
- Stopping plugs and blanking elements shall not be used in conjunction with an adaptor or reducer.
- Where adaptors and reducers without sealing rings are installed in protection by enclosure, Ex t (equipment for use in explosive dust atmospheres), they may only be fitted into enclosures offering a minimum of five full threads engagement in accordance with 60079-31.
- Adaptors or reducers shall not be used for the direct connection of the thermostat to another enclosure.
- Only one adaptor or reducer is to be used with any single cable entry on the associated equipment.
- When thermostat is installed in a Class I, Division 2 area for flammable gas the wiring / sealing methods and components must be rated for Class I, Division 1, as per local electrical codes.  
⇒ This rule also applies to installations in Class II areas for combustible dust.
- When thermostat is installed in a Class I, Zone 2 area for flammable gas the wiring / sealing methods and components must be rated for Class I, Zone 1, as per local electrical codes.  
⇒ This rule also applies to installations in Class II areas for combustible dust.
- **CAUTION:** To prevent the risk of ignition of hazardous atmospheres ensure the cover is tightly closed when the circuits are alive. Disconnect the supply before opening the enclosure.
- **ATTENTION!** Afin de réduire les risques d'explosion dans les emplacements dangereux, s'assurer que le couvercle est bien serré avant d'alimenter l'appareil. Avant d'ouvrir, couper l'alimentation électrique.

## Installation / Wiring

- Thermostat is to be connected and serviced only by a qualified electrician experienced with hazardous location equipment. It is the responsibility of the installer to verify the safety and suitability of the installation as per all electrical codes and area regulations.
- Connection may be made via glands and cable that are appropriately certified for use in the hazardous location and correctly installed. OR
- Connection may be made via rigid conduits.  
⇒ For installation in North American (Canada / USA) hazloc classified areas the conduits must be sealed within 18" (457mm) of the thermostat enclosure. The seal must be certified for use in the appropriate hazardous location and correctly installed.
- All unused cable entries must be fitted with stopping plugs or blanking elements which are appropriately certified for use in the hazardous location and correctly installed.
- Electrical ratings stated in literature and on nameplates must not be exceeded.
- Both an internal and external earthing point are provided. The external grounding terminal is NOT to be used as the primary equipment ground. The interior grounding terminal is the primary equipment ground.
- Upon completion of the wiring the thermostat cover is to be re-installed. The flanged surfaces on the base housing and cover are to be free of debris. The four M8 hex bolts are to be torqued to 150 in-lbs (17 Nm).
- Base housing and cover are to be assembled as such that a 0.0015" (0.04mm) feeler gauge can't be inserted between the two flanged faces.
- Any unused wires must be insulated via wire nut

If the thermostat was purchased as an accessory with a forced air electric heater please refer to the heater owner's manual for the XET1 wiring instructions.



### Cable Entries

Wall Mount	(2x) 3/4"-14 NPT (Side Entries)
Conduit Mount	(1x) 3/4"-14 NPT (Side Entry) (1x) 1"-11½ NPT (Rear Entry)

### Limited 36-Month Warranty

All XET1 series of electronic explosion-proof thermostats are warranted against defects in materials and workmanship under normal conditions of use for a period of thirty-six (36) months from date of purchase based on the following terms:

- The thermostat must not be modified in any way.
- The thermostat must be stored, installed and used only in accordance with the owner's manual and attached data plate information.
- The complete thermostat may be returned to our manufacturing plant for repair or replacement (at our discretion), freight charges prepaid.
- Contamination by dirt, dust, etc. or corrosion will not be considered as defects.
- This warranty shall be limited to the actual equipment involved and, under no circumstances, shall include or extend to installation or removal costs, or to consequential damages or losses.