



180, 3<sup>e</sup> Avenue, L'Islet, Québec, G0R 2C0, CANADA  
 Tel.: (418) 247-3947, 1-800-463-7043, Fax: (418) 247-7801  
[www.ouellet.com](http://www.ouellet.com)

## INSTRUCTIONS - OFB Series

### WARNING

When using electrical appliances, basic precautions should always be taken to reduce the risk of fire, electrical shock and injury, including the following.

**Read carefully** these instructions before installation, operation of the heater. Failure to adhere to the instructions could result in fire, electric shock, serious personal injury, and death or property damage. Review frequently for continuing safe operation and instruction of future users, if necessary.

### IMPORTANT INSTRUCTIONS

- Read all instructions before using or installing this heater.
- This heater is hot when in use. To avoid burns, do not let bare skin touch hot surfaces.
- Extreme caution is necessary when any heater is used by or near children or invalids and whenever the heater is left operating and unattended.
- Keep combustible materials, like furniture, pillows, bedding, papers, clothes, and curtains at least 3 ft. (0.9 m) away from the front of the heater and keep them away from the sides and rear.
- Do not use outdoors.
- Do not use the heater if it is damaged in any way whatsoever. Disconnect all power at main panel and ask a qualified electrician to make an inspection of the heater before reuse.
- To disconnect the heater, turn off the thermostat and turn off the power at the main panel.
- Do not insert or allow foreign objects to enter any ventilation opening as this may cause electrical shock, short circuit, fire, or damage to heater.
- To prevent a possible fire, do not block air intakes or exhaust in any way whatsoever.
- A heater has hot and arcing or sparking parts inside. Do not use it in areas where gasoline, paint or flammable liquids are used or stored.
- Use this heater only as described in this manual. Any other use not recommended by the manufacturer may cause fire, electrical shock, or injury.
- This heater is not approved for use in corrosive atmospheres, wet or very humid locations such as marine, green house or chemical storage areas.
- For bathroom use, the heater must be installed so that switches and other controls cannot be touched by anyone in the bath or shower.
- **WARNING:** This appliance shall be considered as a backup heater and its use in confined and closed areas should be given special attention. Under certain conditions, the ambient temperature near the ceiling can be high (up to 50°C) and the presence of safety devices, such as heat detectors and sprinklers, can become problematic.

**SAVE THESE INSTRUCTIONS.**

## INSTALLATION INSTRUCTIONS

### IMPORTANT

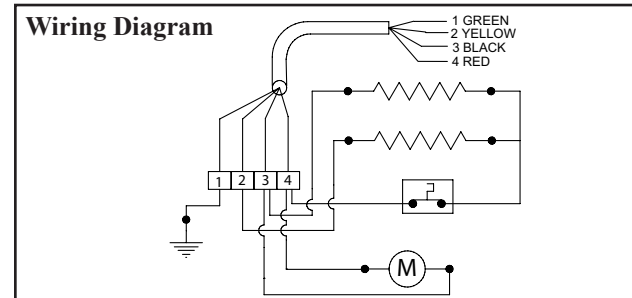
- Read all instructions before installing this heater.
- The installation must be executed by a qualified electrician in conformity with national and local codes in effect.
- The heater and its mounting bracket must be installed on the surface of a wall (no possibility for recess mounting).
- The wall must be able to support the combined weight of the heater and its mounting bracket 9 lb (4 kg).
- To prevent overheating, do not install the bottom of the heater at less than 72 in. (1.80 m) from the floor, sides and top at less than 4 in. (100 mm) of all surfaces, moldings or other objects and maintain a minimum clearance of 20 in. (0.5 m) in front of the heater.
- The heater must not be placed directly above a wall outlet.
- For bathroom use, the heater must be installed so that switches and other controls cannot be touched by anyone in the bath or shower. Comply with applicable electrical code for minimum clearances from water access and the use of ground fault circuit interrupter (GFCI).
- Do not install the heater above a bath or any other liquid tank. Do not install in area where flammable liquids are used.
- To reduce the risk of fire, do not store or use gasoline or other flammable vapors and flammable liquids near the heater.
- Use the supplied bracket on the back of the heater to install the heater to the wall.

### WALL BRACKET INSTALLATION:

- Choose the location where the heater should be installed. Once the place chosen, make sure there are no obstructions to the air flow around.
- Respect the minimum clearances as specified in **Figure 1**.
- Remove the mounting bracket from the back of the heater and fix it to the wall with the provided screws as per instructions in **Figure 1**.
- Suspend the heater to the hooks at the bottom of the wall mounting bracket as per **Figure 1, Detail A** and make electrical connection.

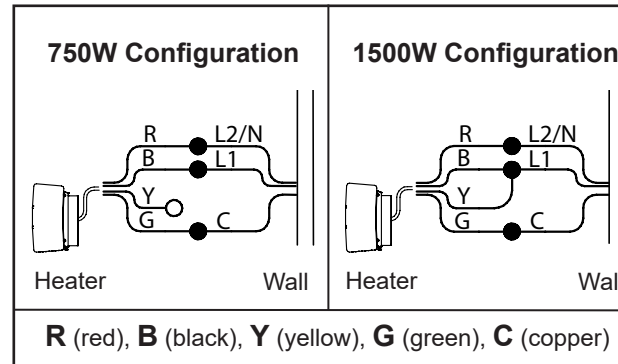
### ELECTRICAL CONNECTION:

- This heater must be connected to a 120V, 208V or 240V 60 Hz circuit according to the model. Make sure the power is off before wiring the heater.
- Connect the heater in the pre-installed wall electrical junction box. It must be of appropriate dimensions to receive the connecting cable and the cover of 2 3/4 in. x 4 1/2 in. (7 cm x 11.5 cm) supplied with the heater.
- Locate the nameplate on the heater.
- Connect the heater according to the indications of voltage and phase on the nameplate of the heater.
- Use copper supply wires only and make the connections with the 3 solderless connectors provided.

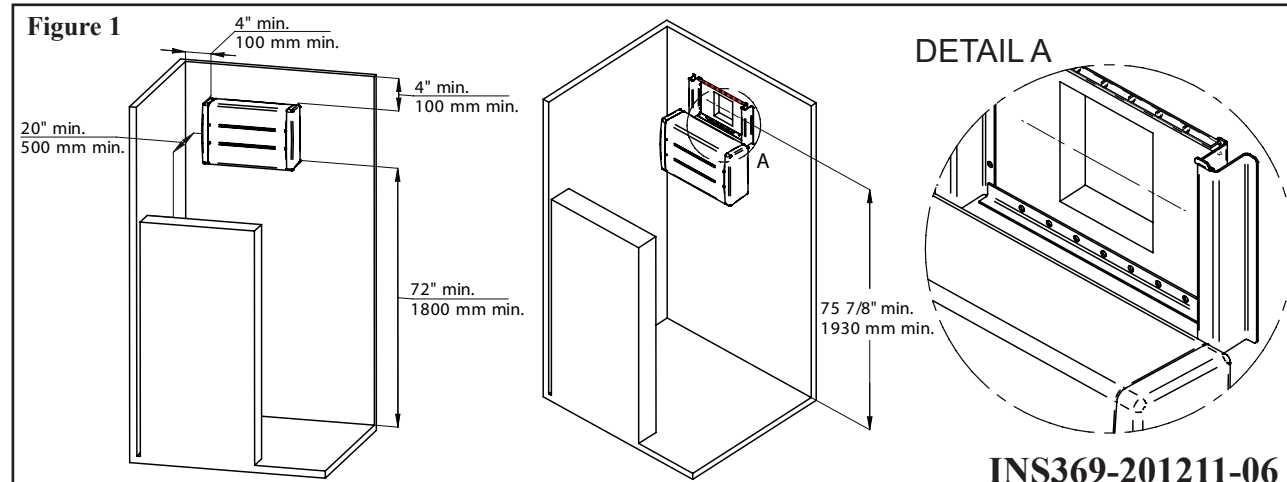
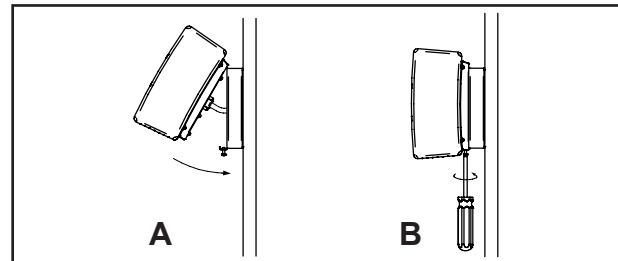


Two wattage configurations are possible: (750W or 1500W).

- Follow the recommendations listed in the wiring diagram below.



- Connect the ground wire of the heater (green) with the ground wire of the source with connectors of appropriate size.
- Carefully place the wires in the electrical junction box and screw on the cover.
- Install the heater on the wall mounting bracket as shown below (**A**).
- Finally, lock the heater to the mounting bracket by tightening the 2 screws at the bottom of the heater as shown below (**B**).
- Make sure that the power supply applied to the heater corresponds to the nameplate indications before powering the heater.



## USER INSTRUCTIONS

- This heater has a manual de-energize high limit thermal protection that will de-energize the heating elements if the interior temperature of the heater exceeds its setting. To restart the heater, follow these steps:
  1. Disconnect power supply.
  2. Check the heater and remove the cause of overheating (blocking, cover, dust, etc.).
  3. Wait 5 minutes, turn the power on and restart the heater.
- The use of the heater may vary depending on the type of control used. Please refer to the operation manual of the thermostat or timer.
- The heater must be properly installed before use.

## MAINTENANCE INSTRUCTIONS

- To maintain performance of the heater, a maintenance is recommended once a year or at the need. In order to do so, simply spray with an air spray can the air exhaust grille of the heater and the grille at the rear of the heater to remove dust or the like which cause clogging.
- Never use abrasives that might damage the coating.
  - Never use cloth, brush or compressor air.
  - The heater motor is permanently lubricated.
  - Always disconnect all power at the main panel prior cleaning or servicing.
  - A qualified technician should perform any other servicing

## WARRANTY

Please refer to the product sheet at [www.ouellet.com](http://www.ouellet.com).

**INS369-201211-06**