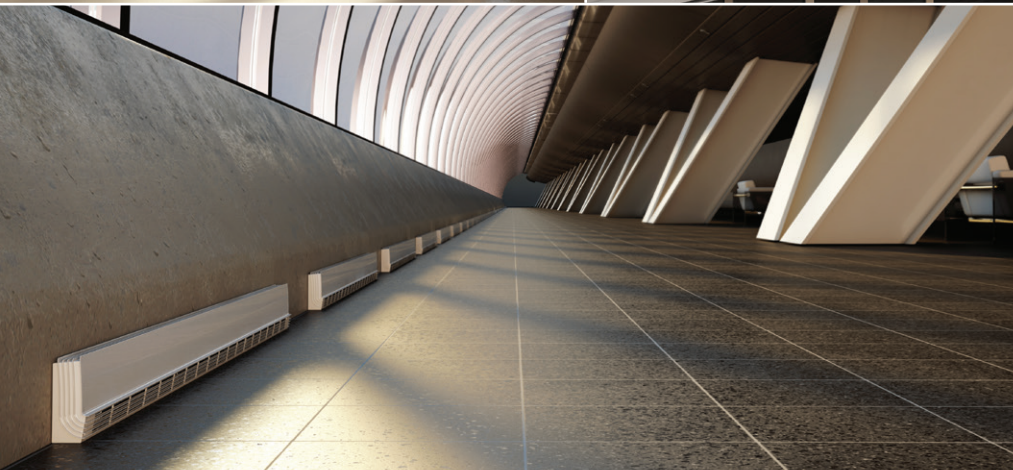




High-End Baseboard Heater
ODL Series



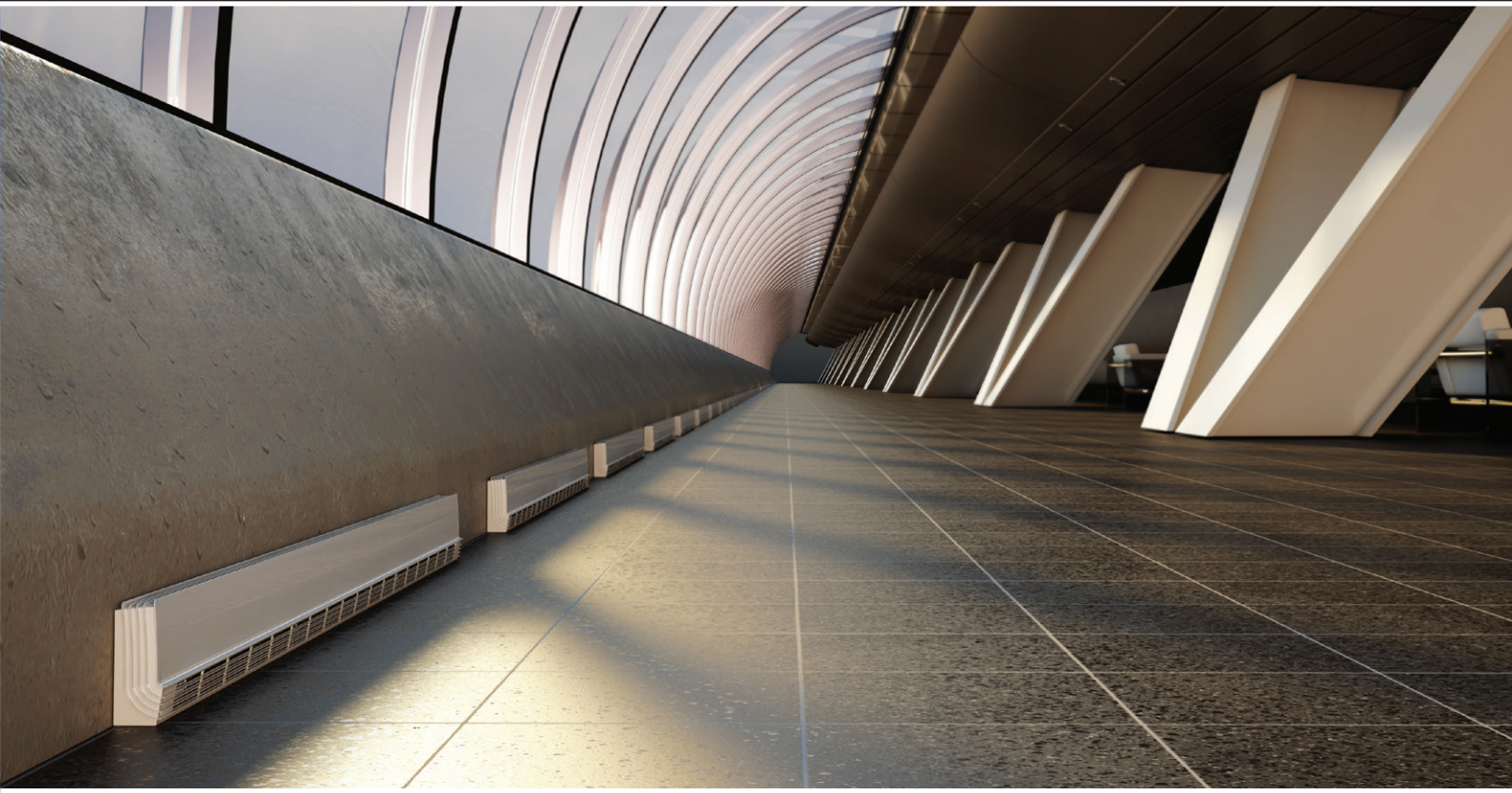
Breaking with clichés

Ouellet Canada's high-end baseboard heater combines elegance and performance to restore its former glory to this electric heating classic.

More than a question of appearance, the ODL Series is distinguished by the quality of its components, the robustness of its materials and the reliability associated with the Ouellet brand.

Although often criticized, the electric baseboard heater remains a proven commodity which still has its place. Whether it be under the wide living room windows or in the washroom of a restaurant, the high-end baseboard heater, ODL Series, will meet the requirements of the most refined indoor areas. It's just a matter of breaking with clichés.





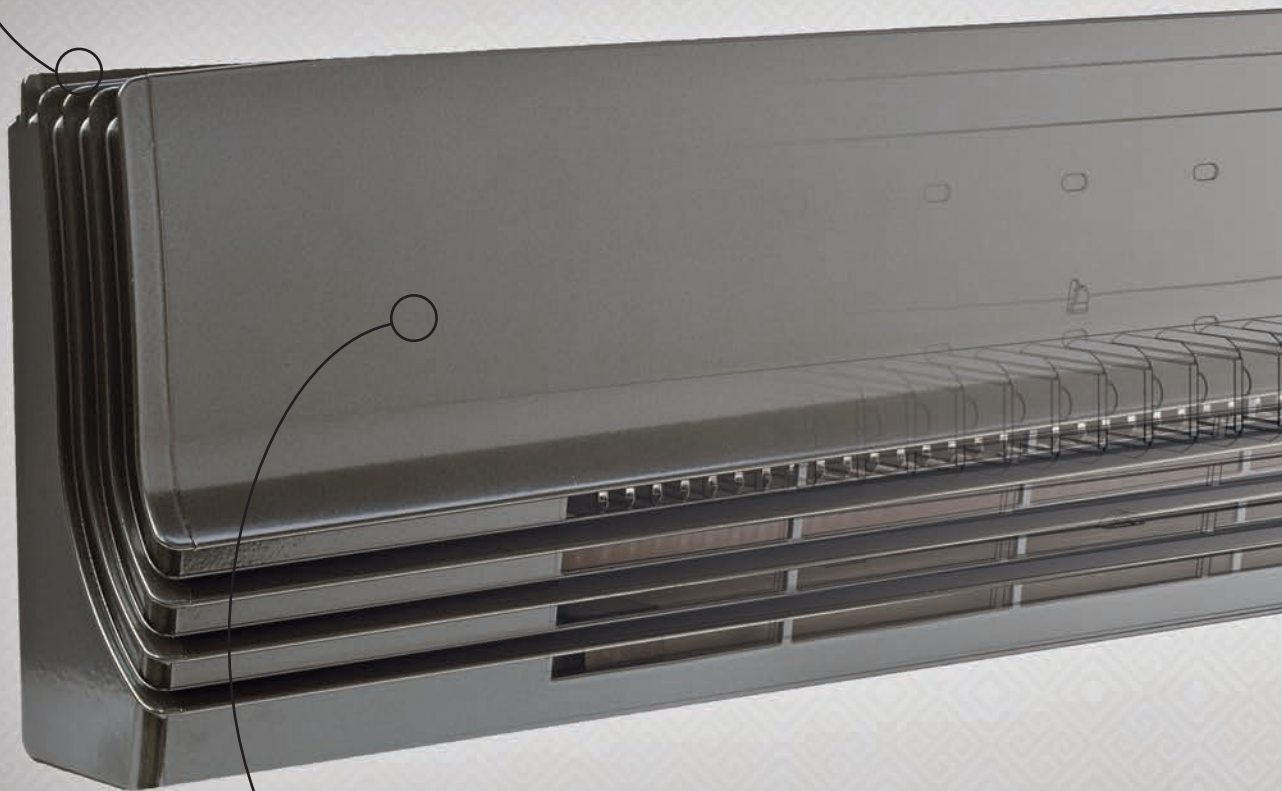
Choose a product that will stand the test of time. With its contemporary design and robust construction, the ODL Series is just as suitable for residential and commercial applications.



Integrated design

No need to compromise between aesthetics and comfort. The ODL Series was designed to adapt to a wide variety of wood trim profiles, including the most stately. Moreover, the aluminum extrusion front cover does not let the heating element show to give a more refined appearance. In addition, with its warm laminar air flow directed upwards, window coverings will no longer be a puzzle.¹

¹ Make sure to respect minimum clearing distances at all time between the baseboard heater and the curtains.



Durability

Plan for long-term installation. The distinctive front cover of the ODL Series, entirely made of aluminum, is robust and corrosion resistant, thus giving it prolonged quality and life expectancy, even for the most demanding applications.

Efficiency

Shifting away from conventional electric baseboard heater paradigms, the draft-barrier type upflow air outlet provides the ODL Series with an increased advantage for installations under a window since it creates a film between the indoor air and the cold surface of the glass, thus increasing the feeling of comfort. But regardless of where it will be in your indoor environment, ensure that you have optimal comfort by installing a wall-mounted electronic thermostat to maintain a precise temperature.¹

¹ Refer to the products catalog for our complete offer of programmable and non programmable electronic wall thermostat.

Peace of mind

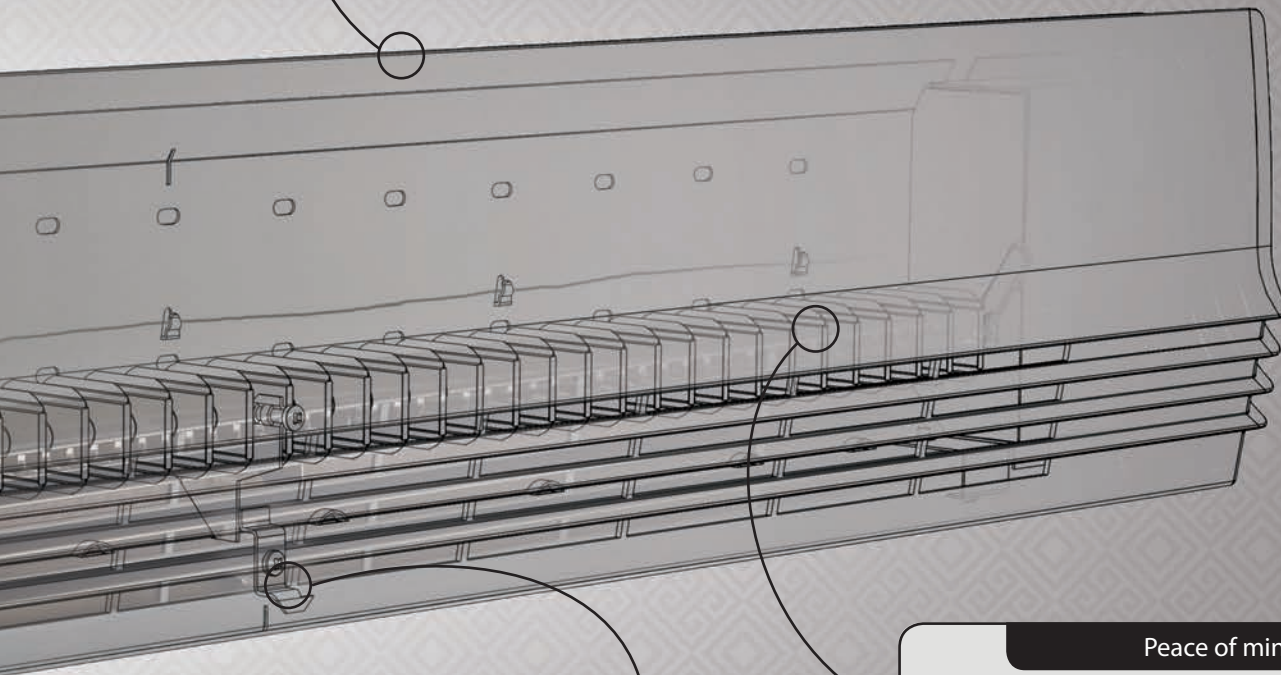
Choose a hallmark of quality: the ODL Series is available in low watt density and standard watt density models, so there are no bad surprises. Since it is a Ouellet electric baseboard heater, it meets the same stringent safety and performance standards, without overheating concerns.

The locked front cover safely conceals the heating element to keep it out of the reach of little ones' fingers.

Simplicity

In the tradition of Ouellet products, the ODL Series maintains and innovates in its ease of installation. Indeed, just like the electric baseboard heater of the OFM series, its case is equipped with single-screw built-in wire holder at each end.

Moreover, the front cover can be removed quickly: simply turn the latch with the help of a tool to access the inside of the case for installation or maintenance. Limited handling means less risk of damage.



Standard colors¹

BL White

CM Metallic charcoal

Optional colors¹

AM Almond

SA Sand

BZ Bronze

AL Aluminum

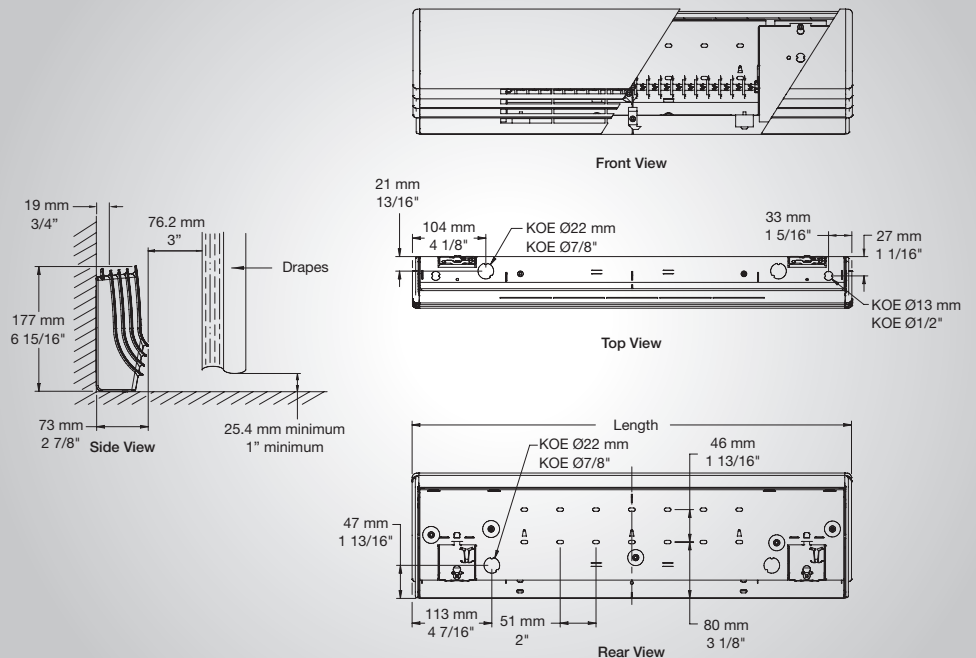
AE Metallic silver

NL Semi-gloss black

Ouellet offers you a range of colors that will combine the ODL Series with the surrounding materials and textures in order to create an accent or have it blend with the environment.

¹ Due to the printing process, the colors may vary from the actual colors.

With dimensions barely larger than those of a standard electric baseboard heater, the high-end baseboard heater, ODL Series, is ideal for a renovation that won't require new moldings or paint touch-ups.



Standard Watt Density Models

Watts	Watts 240/208V	120V	Product #			Length ¹	
			208V	240/208V	277V	in.	mm
300	300/225	ODLU0302	ODLU0308	ODLU0300	-	24 5/8	625
500	500/375	ODLU0502	ODLU0508	ODLU0500	ODLU0577	29 1/2	750
750	750/563	ODLU0752	ODLU0758	ODLU0750	ODLU0777	39 1/2	1004
1000	1000/750	ODLU1002	ODLU1008	ODLU1000	ODLU1077	49 13/16	1265
1250	1250/938	ODLU1252	ODLU1258	ODLU1250	ODLU1277	59 1/4	1506
1500	1500/1125	ODLU1502	ODLU1508	ODLU1500	ODLU1577	68	1727
1750	1750/1313	-	ODLU1758	ODLU1750	ODLU1777	77 5/16	1964
2000	2000/1500	-	ODLU2008	ODLU2000	ODLU2077	86 1/8	2187
2250	2250/1688	-	ODLU2258	ODLU2250	ODLU2277	94 15/16	2412
2500	2500/1875	-	ODLU2508	ODLU2500	ODLU2577	104 1/16	2644

Low Watt Density Models

Watts	Watts 240/208V	120V	Product #			Length ¹	
			208V	240/208V	277V	in.	mm
300	300/225	ODLU0302-750	ODLU0308-750	ODLU0300-750	ODLU0377-750	29 1/2	750
500	500/375	ODLU0502-1004	ODLU0508-1004	ODLU0500-1004	ODLU0577-1004	39 1/2	1004
750	750/563	ODLU0752-1265	ODLU0758-1265	ODLU0750-1265	ODLU0777-1265	49 13/16	1265
1000	1000/750	ODLU1002-1506	ODLU1008-1506	ODLU1000-1506	ODLU1077-1506	59 1/4	1506
1250	1250/938	ODLU1252-1727	ODLU1258-1727	ODLU1250-1727	ODLU1277-1727	68	1727
1500	1500/1125	ODLU1502-2187	ODLU1508-2187	ODLU1500-2187	ODLU1577-2187	86 1/8	2187
1750	1750/1313	-	ODLU1758-2412	ODLU1750-2412	ODLU1777-2412	94 15/16	2412
2000	2000/1500	-	ODLU2008-2644	ODLU2000-2644	ODLU2077-2644	104 1/16	2644
2250	2250/1688	-	ODLU2258-2644	ODLU2250-2644	ODLU2277-2644	104 1/16	2644

¹ Wall length = Length - 3/8" (9.5 mm).

Refer to the products catalog for our complete offer of options and programmable and non programmable electronic wall thermostat.



1 800 463-7043
info@ouellet.com
www.ouellet.com

