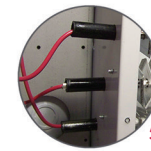
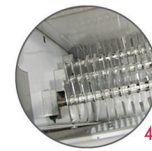
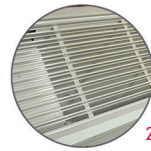
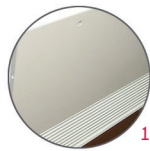


OLI High Density Architectural Sloped Top Cabinet Convector



Features

Color

- Standard: white, almond.
- Optional: metallic silver, bronze, metallic charcoal, textured black, beige-grey, aluminum, semi-gloss black, sand.
- Custom colors available upon request.

Finish

- Standard: epoxy/polyester powder paint.

Voltage

- 208V, 240/208V, 277V, 347V, 600V, 1 or 3-phase.

Construction

- 20-gauge steel cabinet.
- 16-gauge steel front cover. **1**
- Extruded aluminum bar grilles prevent insertion of foreign objects. **2**
- Front fresh air inlet; top warm air outlet.
- Clean back available (-BD).
- Linear high-limit temperature control with automatic reset. **3**

Heating element

- Three stainless steel tubular heating elements with aluminum fins. **4**
- Floating elements on high-temperature nylon bushings reducing expansion noises. **5**

Watt density

- Standard watt density.
- Low watt density.

Control

- Built-in tamperproof thermostat available.
- Mechanical, electronic or pneumatic relays available.

Note: Single-pole thermostat is for 1-phase model only.

Ouellet highly recommends to use an electronic wall thermostat for greater comfort.

Installation

- Not for residential use in the United States.
- Wall or floor mounted installation.
- Mounting holes spaced on 2 in. (51 mm) intervals for ease of installation.
- Variety of accessories available for wall-to-wall installation.
- Pedestal kit or sub-base available.

Warranty

- 1-year warranty against defects.

Application

- Commercial building, hospital, daycare center.

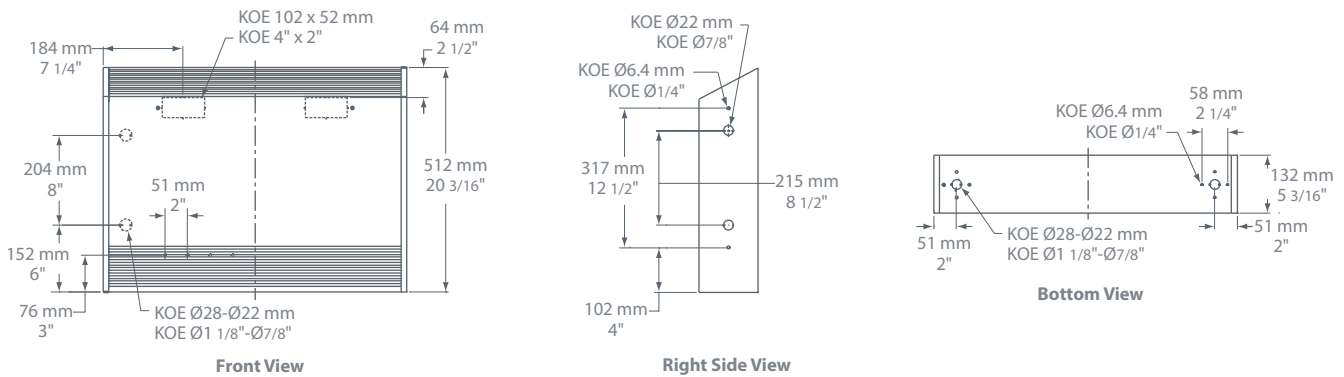
Standard Watt Density Models

Watts	Product #			Watts 240/208V	Product # 240/208V	Length		Weight	
	208V (1 ph)	208V (3 ph)	277V			in.	mm	lb	kg
2000	OLI2008	OLI2038 ¹	OLI2077	2000/1500	OLI2000	27 3/16	690	37.0	16.8
3000	OLI3008	OLI3038 ¹	OLI3077	3000/2250	OLI3000	37 3/16	944	47.0	21.3
4000	OLI4008 ¹	OLI4038 ¹	OLI4077	4000/3000	OLI4000 ¹	47 3/16	1198	57.0	25.9
5000	OLI5008 ²	OLI5038 ¹	OLI5077 ¹	5000/3750	OLI5000 ¹	57 3/16	1452	67.0	30.4
6000	OLI6008 ²	OLI6038 ²	OLI6077 ¹	6000/4500	OLI6000 ²	65 3/16	1655	79.0	35.8

Low Watt Density Models

Product # ⁴	Length	Weight	Average Density W/ft.	Watts	208V (1 ph)	208V (3 ph)	240V	277V
OLI10XX-690	27 3/16"	37.0 lb	500	1000	✓	✓	✓	✓
OLI15XX-690	(690 mm)	(16.8 kg)	750	1500	✓	✓	✓	✓
OLI15XX-944	37 3/16"	47.0 lb	500	1500	✓	✓	✓	✓
OLI22XX-944	(944 mm)	(21.3 kg)	750	2250	✓	✓	✓	✓
OLI20XX-1198	47 3/16"	57.0 lb	500	2000	✓	✓	✓	✓
OLI30XX-1198	(1198 mm)	(25.9 kg)	750	3000	✓	✓	✓	✓
OLI25XX-1452	57 3/16"	67.0 lb	500	2500	✓	✓	✓	✓
OLI37XX-1452	(1452 mm)	(30.4 kg)	750	3750	✓	✓	✓	✓
OLI30XX-1655	65 3/16"	79.0 lb	500	3000	✓	✓	✓	✓
OLI45XX-1655	(1655 mm)	(35.8 kg)	750	4500	✓	✓	✓	✓

¹If the control option "24V electronic relay" is required, these products need two electronic relays.
²If the control option "24V electronic relay" is required, these products need three electronic relays.
³XX = 08 (208V, 1 ph), 38 (208V, 3 ph), 00 (240V), 30 (240V, 3PH), 77 (277V), 07 (347V), 04 (480V, 1PH), 34 (480V, 3PH), 06 (600V, 1 ph), 36 (600V, 3 ph).
 ✓ = Available.
 Add "BL" for white, "AM" for almond. Optional colors shown in the color chart section are available upon request.
 Other colors, accessories and finishes are available upon request. Please contact your customer service representative.
 Other voltages available upon request.



OLI

Options

Product # Kit	Product # Factory installed*	Description
-	BD	Clean back
KIT-OLI-CE	-	Outside corner, 8 in. (203.2 mm)
KIT-OLI-CI	-	Inside corner, 8 in. (203.2 mm)
KIT-OLI-CTR	-	Relay box, 12 in. (305 mm)
KIT-OLI-PEC	-	Square-shaped pedestal kit (2), 3 in. (76 mm)
KIT-OLI-SO-27	-	Sub-base, 27 3/16 in. (690 mm)
KIT-OLI-SO-37	-	Sub-base, 37 3/16 in. (944 mm)
KIT-OLI-SO-47	-	Sub-base, 47 3/16 in. (1198 mm)
KIT-OLI-SO-57	-	Sub-base, 57 3/16 in. (1452 mm)
KIT-OLI-SO-65	-	Sub-base, 65 3/16 in. (1655 mm)
KIT-OLI-SV-27	-	Empty cabinet, 27 3/16 in. (690 mm)
KIT-OLI-SV-37	-	Empty cabinet, 37 3/16 in. (944 mm)
KIT-OLI-SV-47	-	Empty cabinet, 47 3/16 in. (1198 mm)
KIT-OLI-SV-57	-	Empty cabinet, 57 3/16 in. (1452 mm)
KIT-OLI-SV-65	-	Empty cabinet, 65 3/16 in. (1655 mm)
-	CTT	Single-pole relay, coil 240V: 25A at 240V, 10A at 600V
-	CTT2	Double-pole relay, coil 240V: 25A at 240V, 10A at 600V
-	DIS40 ³	Disconnect switch, triple-pole, 40A at 600V
-	PM	Pneumatic relay, 20A at 600V
KIT-OLI-R	R	Single-pole relay, coil 24V, without transformer: 22A at 208V, 240V - 18A at 347V
KIT-OLI-R2	R2	Double-pole relay, coil 24V, without transformer: 25A at 240V - 10A at 600V
KIT-OLI-R2-30	R230	Double-pole relay, coil 24V, without transformer, 30A at 600V max.
KIT-OLI-RT-208	RT	Single-pole relay, coil 24V, with transformer 208V/24V, 4500W, 22A at 240V
KIT-OLI-RT-240	RT	Single-pole relay, coil 24V, with transformer 240V/24V, 5200W, 22A at 240V
KIT-OLI-RT-277	RT	Single-pole relay, coil 24V, with transformer 277V/24V, 5200W, 19A at 277V
KIT-OLI-RT-347	RT	Single-pole relay, coil 24V, with transformer 347V/24V, 6000W, 18A at 347V
KIT-OLI-RT-600 ¹	RT ¹	Single-pole relay, coil 24V, with transformer 600V/24V, 6000W, 10A at 600V (2-wire only)
KIT-OLI-T-AV ²	TAV ²	Single-pole tamperproof thermostat: 30A at 250V max. - 15A at 600V max.
KIT-OLI-T2-AV	T2AV	Double-pole tamperproof thermostat: 30A at 250V max. - 15A at 600V max.
-	TRF24	Transformer 24V, 50VA
-	TRF240	Transformer 240V, 50VA

* For factory installed options, add the option number to the product number. See the **Product Code** section inside the front cover.

¹ These 2-wire relays with transformer can't supply of 3-wire low voltage thermostats.

² For 1-phase model only.

³ For the U.S. only: The nominal current of the unit must not exceed 80% of the capacity of the disconnect.
Electronic relay (1 or 3-phase) available upon request.