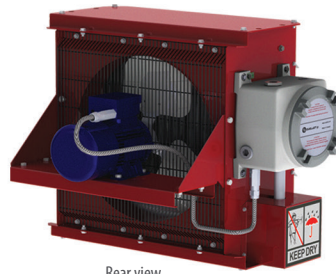


AHX Atex/IECEX Approved Explosion-Proof Unit Heater



Front view



Rear view



Features

Color

- Standard: red.

Finish

- Standard: epoxy/polyester powder paint.

Voltage

- 400V, 50 Hz only, 3-phase.
- 480V, 60 Hz only, 3-phase.

Construction

- 2 mm (14-gauge) steel cabinet.
- Adjustable anodized extruded aluminum louvers.
- Flameproof (Ex d) cast aluminum with O-ring.
- Split design protection grille with close wire spacing. A 9.5 mm diameter probe will not enter.
- Black polyester powder coated protection grille.

Protection

- High temperature pressure relief device.
- Two high-limit temperature controls: one with automatic reset and one with manual reset.
- Thermal delay fuse.

Heat exchanger

- High grade metal-sheathed elements fins with ethylene glycol and water including corrosion inhibitors.
- Carbon steel shells and carbon steel tubes with copper-free, roll-formed aluminum fins @ 2.5 mm pitch.

Fan

- Flameproof (Ex d) thermally protected, 1500 rpm (nominal) permanently lubricated ball bearing type with 71 frame and "easyoff" fan blade replacement feature.
- 0.37Kw (½ HP).

Hazardous location approvals

- **ATEX (Gas Atmospheres)**
SIRA 13 ATEX 1240X
CE 0518 II 2G Ex d IIB T4 Gb IP55
-40 °C ≤ T_{amb} ≤ +40 °C (Suitable for Zone 1 and 2)
- **IECEX (Gas Atmospheres)**
IECEX CSA 13.0034X
Ex d IIB T4 Gb IP55
-40 °C ≤ T_{amb} ≤ +40 °C (Suitable for Zone 1 and 2)

Control

- 24V control.
- Optional wall mounted thermostat.

Installation

- Accessories available.

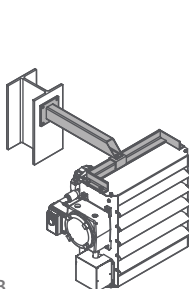
Warranty

- 3-year warranty against defects.

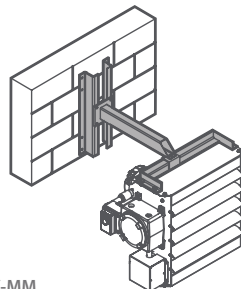
Application

- Paint room, petrochemical plant, refinery, chemical plant, mining industry, aircraft servicing areas, oil & gas drilling, sewage treatment plant.

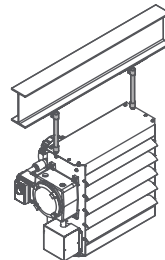
Consult the Electrical Code in your area before installing this unit.



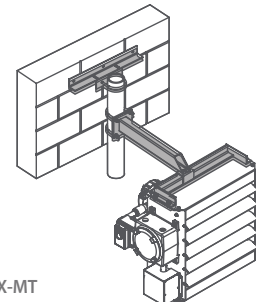
AHX-MB
Basic Mounting Bracket
Suitable for applications where the support arm can be bolted or welded directly to structural steel or concrete.



AHX-MM
Wall Mounting Bracket
For use in buildings that have substantial walls. The Z sections provide additional support where necessary.



AHX-MS
Hanging Mounting Bracket
Ideal and economical if adequate overhead structure exists. Requires 1/2 in. (12.5 mm) pipe, cut and threaded (min. Sch. 40) not supplied.



AHX-MT
Pipe Mounting Bracket
For buildings with insufficient strength to use other types of mounting brackets. Requires 3 in. (75 mm) pipe (3 1/2 in. [87.5 mm] O.D., min. Sch. 40) not supplied.

AHX

Models

kW	BTU/hr	Product #		To Rise (°C)		Weight ¹	
		400V 50 Hz (3 ph)	480V 60 Hz (3 ph)	50 Hz	60 Hz	lb	kg
5.0	17060	AHX0503950	AHX0503460	21.2	17.7	144	65.4
7.5	25590	AHX0753950	AHX0753460	22.4	18.7	144	65.4
10.0	34120	AHX1003950	AHX1003460	21.6	18.0	148	67.2
15.0	51180	AHX1503950	AHX1503460	21.7	18.1	176	79.8
20.0	68240	AHX2003950	AHX2003460	20.7	17.3	176	79.8
25.0	85300	AHX2503950	AHX2503460	20.8	17.4	201	91.5
30.0	102360	AHX3003950	AHX3003460	17.5	14.6	201	91.5

Options

Product # Kit	Description
AHX-MB1	Basic mounting bracket, 5 to 10kW units
AHX-MB2	Basic mounting bracket, 15 to 20kW units
AHX-MB3	Basic mounting bracket, 25 to 30kW units
AHX-MM1	Wall mounting bracket, 5 to 10kW units
AHX-MM2	Wall mounting bracket, 15 to 20kW units
AHX-MM3	Wall mounting bracket, 25 to 30kW units
AHX-MS	Hanging mounting bracket, all models
AHX-MT1	Pipe mounting bracket, 5 to 10kW units
AHX-MT2	Pipe mounting bracket, 15 to 20kW units
AHX-MT3	Pipe mounting bracket, 25 to 30kW units
B121-13272	Explosion-proof wall thermostat range of -9.4 °C to 60 °C (15 °F to 140 °F)

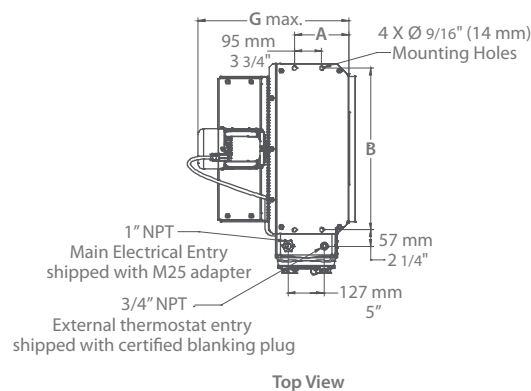
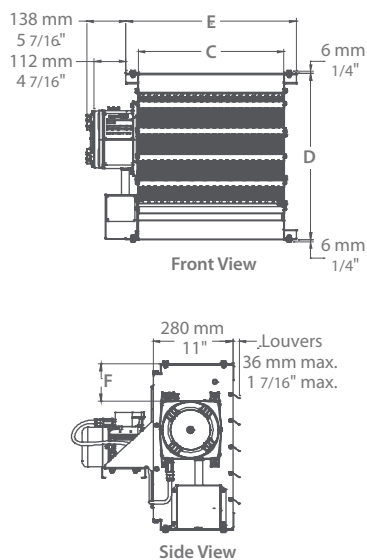
¹ Shipping weight.
Standard color is red.

Approved locations

- ATEX (Gas Atmospheres)
SIRA 13 ATEX 1240X
CE 0518 Ex II 2G Ex d IIB T4 Gb IP55
-40 °C ≤ T_{amb} ≤ +40 °C (Suitable for Zone 1 and 2)
- IECEx (Gas Atmospheres)
IECEX CSA 13.0034X
Ex d IIB T4 Gb IP55
-40 °C ≤ T_{amb} ≤ +40 °C (Suitable for Zone 1 and 2)

Temperature limitations

Ambient temperature: -40 °C to +40 °C
Storage temperature: -40 °C to +60 °C
Maximum altitude: 3000 m above sea level.



Models	5 to 10kW	15 to 20kW	25 to 30kW
Fan	12" 305 mm	16" 406.4 mm	20" 508 mm
Dim.	in. (mm)	in. (mm)	in. (mm)
A	7.5 (191)	7.5 (191)	7.5 (191)
B	18.2 (462)	22.3 (566)	26.3 (667)
C	16.3 (414)	20.3 (515)	24.3 (617)
D	19.0 (482)	23.0 (583)	27.0 (686)
E	19.5 (494)	23.5 (596)	27.4 (697)
F	3.1 (79)	5.1 (130)	7.1 (181)
G	21.1 (535)	21.1 (535)	21.1 (535)