

ORA-C C Range Commercial Air Curtain



Surface



Recessed



Ecopower control included



Features

Model

- Electric heat.
- No heat.

Color

- Standard: white.
- Custom colors available upon request (RAL Chart).

Voltage

- 208V, 240/208V, 480V, 600V, 60 Hz.

Construction

- Steel casing with resistant plastic end caps.
- Quick access to the internal components thanks to the front panel which facilitate maintenance and connection.
- High-limit temperature control with automatic reset.

Fan

- Tangential fans.

Heating element

- Element provides instant heat (electric model).

Control

- Ecopower control included (20 ft. (6 m) RJ9 control cable included).
- Door switch included.
- Compatible with a Building Management System.
- Personalize programming of the air curtain.

Installation

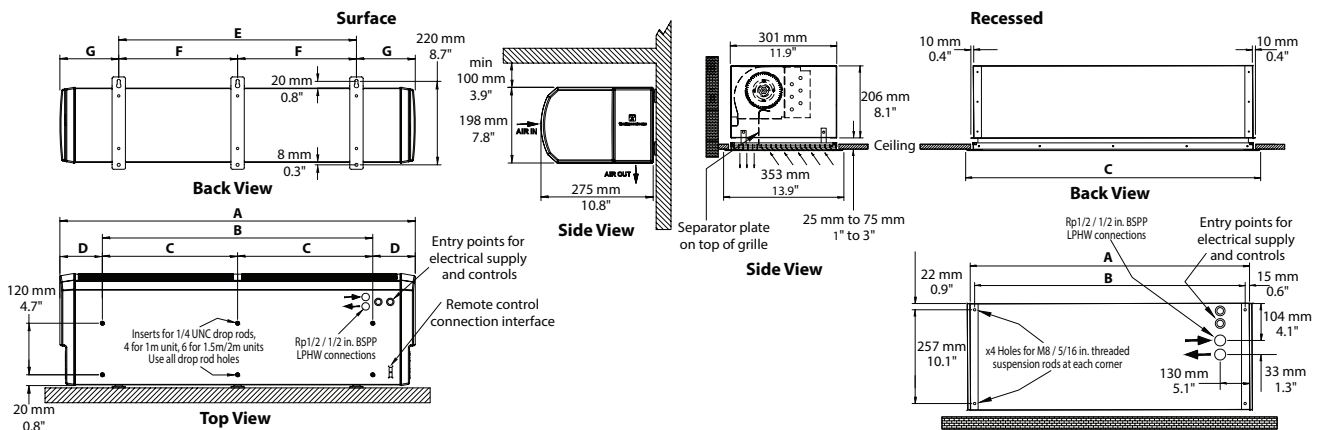
- Maximum height installation:
 - Surface-mounted: 9.84 ft. (3 m) above the floor.
 - Recessed: 9.84 ft. (3 m) above the floor.
- Surface-mounted: low profile installation brackets included.
- Ceiling hanging: fixings are included for 1/4 in. x 20 UNC threaded rods (rods not supplied).
- Recessed: hinged core grilles included for easy installation and maintenance.
- Joining kit, available in option, for connecting multiple surface mounted units.

Warranty

- 2-year warranty against defects.

Application

- Entrance way, vestibule, commercial building, service door, hospital.



	C1000		C1500		C2000	
	mm	in.	mm	in.	mm	in.
A	1137	44.8	1669	65.7	2200	86.6
B	908	35.8	1408	55.4	1928	75.9
C	-	-	704	27.7	964	38.0
D	115	4.5	131	5.2	136	5.4
E	710	28.0	1208	47.6	1748	68.8
F	-	-	604	23.8	874	34.4
G	214	8.4	231	9.1	226	8.9

Cut-Out in Ceiling		C1000		C1500		C2000	
		mm	in.	mm	in.	mm	in.
Length	A	1129	44.5	1529	60.2	2040	80.3
	B	1209	47.6	1609	63.5	2120	83.5
	C	1179	46.4	1579	62.2	2090	82.3
Width	A	301	11.9	301	11.9	301	11.9

Models

Volts (ph)	Product #	kW Lo/Hi	Amp.	cfm	Max velocity (ft./min)	dBA at 3 m	Effective width of air stream		Weight	
							in.	mm	lb	kg
Surface-mounted										
Electric heat										
600 (3) + 208 or 240 ²	C1000ENTECO600V	4.5/9	9.3	740	1500	55.0	33	838	35	16
600 (3) + 208 or 240 ²	C1500ENTECO600V	6/12	12.8	1060	1500	55.0	52	1320	51	23
600 (3) + 208 or 240 ²	C2000ENTECO600V	9/18	18.6	1470	1500	56.0	66	1676	73	33
480 (3) + 208 or 240 ²	C1000ENTECO480V	4.5/9	10.9	740	1500	55.0	33	838	35	16
480 (3) + 208 or 240 ²	C1500ENTECO480V	6/12	14.5	1060	1500	55.0	52	1320	51	23
480 (3) + 208 or 240 ²	C2000ENTECO480V	9/18	21.7	1470	1500	56.0	66	1676	73	33
208 (3)	C1000ENTECO208V	4.5/9	27	740	1500	55.0	33	838	35	16
208 (3)	C1500ENTECO208V	6/12	36	1060	1500	55.0	52	1320	51	23
208 (3)	C2000ENTECO208V	9/18	54	1470	1500	56.0	66	1676	73	33
No heat										
208/240 (1) ³	C1000ANTECO208-230V	-	0.5	740	1500	55.0	33	838	35	15
208/240 (1) ³	C1500ANTECO208-230V	-	0.7	1060	1500	55.0	52	1320	46	21
208/240 (1) ³	C2000ANTECO208-230V	-	1	1470	1500	56.0	66	1676	68	31
Recessed										
Electric heat										
600 (3) + 208 or 240 ²	C1000ERECO600V	4.5/9	9.3	700	1500	55.0	33	838	40	19
600 (3) + 208 or 240 ²	C1500ERECO600V	6/12	12.8	1020	1500	55.0	52	1320	56	25
600 (3) + 208 or 240 ²	C2000ERECO600V	9/18	18.6	1400	1500	56.0	66	1676	79	35
480 (3) + 208 or 240 ²	C1000ERECO480V	4.5/9	10.9	700	1500	55.0	33	838	40	19
480 (3) + 208 or 240 ²	C1500ERECO480V	6/12	14.5	1020	1500	55.0	52	1320	56	25
480 (3) + 208 or 240 ²	C2000ERECO480V	9/18	21.7	1400	1500	56.0	66	1676	79	35
208 (3)	C1000ERECO208V	4.5/9	27	740	1500	55.0	33	838	44	20
208 (3)	C1500ERECO208V	6/12	36	1060	1500	55.0	52	1320	60	27
208 (3)	C2000ERECO208V	9/18	54	1470	1500	56.0	66	1676	87	37
No heat										
208/240 (1) ³	C1000ARECO208-230V	-	0.5	740	1500	55.0	33	838	39	19
208/240 (1) ³	C1500ARECO208-230V	-	0.7	1060	1500	55.0	52	1320	52	25
208/240 (1) ³	C2000ARECO208-230V	-	1	1470	1500	56.0	66	1676	74	35

¹ To order any custom colors from the R.A.L. chart, add "SP" at the end of the Product # and specify RAL color # on the order. Contact our customer service department for lead times.

² IMPORTANT: 600V and 480V models need 2 power sources (E.g.: 600V+208V or 230V) or an external transformer (E.g.: 600V/240V). The VA requirement varies between models: C1000 = 200VA, C1500 and C2000 = 350VA.

³ Maximum installation height when connected to 208V is 8.53 ft. (2.6 m).

Options

Product # Kit	Description
ORA-EEPROM	EEPROM memory
ORA-RS-485	Cable RS-485 to USB adaptor
T7263627	Programming board
T5951001	Master and slave lead: 9.84 ft. (3 m)
T5951050	Ecopower extension lead : 32.80 ft (10 m)
T5951060	Ecopower extension lead : 49.21 ft. (15 m)
T5951020	Ecopower extension lead : 98.42 ft. (30 m)
T5951030	Extention lead coupler