

OCF Patio Infrared Heater



Stainless steel
OCF30240, OCF40240,
OCF60240

Black
OCF15120



Grounded 3-pronged outlet (120V model)



NEMA 5-15R

Features

Finish

- Black anodized aluminum or stainless steel.

Voltage

- 120V, 240/208V, 60 Hz, 1-phase.

Construction

- Weatherproof IP65 certified for outdoor use.
- 2 mm thickness aluminum extrusion casing.
- High quality aluminum optical reflector.
- High quality power cord:
 - 120V model: 7.5 ft. (2.25 m) with NEMA 5-15P plug.
 - 240/208V models: 6 ft. (1.8 m) hard wire.

Heating element

- Woven carbon filament infrared lamp inside a 15 mm Quartz tube.
- Element service life \pm 5000h.

Wavelength

- Mid-wave (2 μ m).

Control

- 1500W and 3000W models: On/Off integrated regulator and a remote control with 6 settings.
- 4000W and 6000W models: Two heating level, 50% and 100%. The heater can be wired to bypass the remote if requires.

Certification

- Comply with the standard UL2021:2015 Ed.4 and C22.2 No.46: 2013 Ed.9.

Installation

- Horizontal installation only.
- Residential: Exterior installation only.
- Commercial: Exterior and interior installation.
- Pivoting wall mounting brackets included (120V and 240/208V models).
- Mounting brackets for ceiling suspension included (240/208V models).
- Installation minimum clearances:
 - 1500W model: 6.7 ft. (2.0 m) from floor.
 - 300W, 4000W and 6000W models: 8 ft. (2.4 m) from floor.All models: 12 in. (30 cm) from ceiling, 18 in. (45 cm) between the end of the unit to the wall and 24 in. (61 cm) between the longer side of the unit to the wall.
- 120V model: Wall mounted only. Must be plugged into a grounded 3-pronged outlet, 15A, 120VAC.
- 240/208V models: Wall or ceiling mounted. Hard-wired into an electrical junction box (not included).

Warranty

- 1-year warranty against defects.
- 90-day warranty on the element (for industrial applications only).

Application

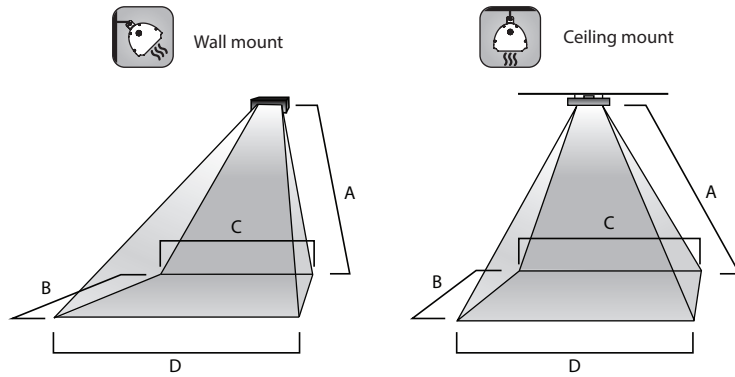
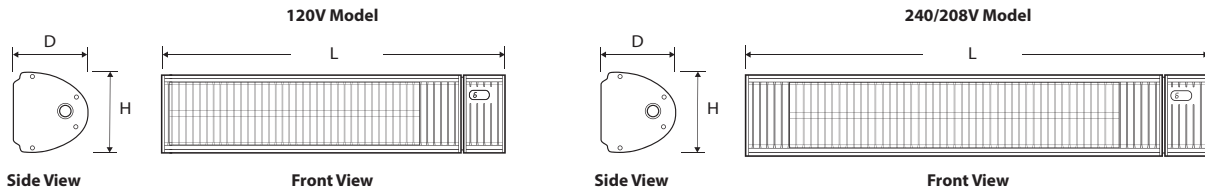
- Residential: Solarium, pool & spa, balcony, patio.
- Commercial: Workshop, garage, restaurant patio or bar, hotel entranceway, churches.

Models

| Watts | Volts | Product # ¹ | Grounded 3-pronged outlet | Length | | | | Weight | | | |
|-----------|---------|------------------------|---------------------------|--------|--------|-------|-------|--------|-------|------|------|
| | | | | L | H | D | | lb | kg | | |
| 1500 | 120 | CF15120B | 15A, 120VAC | in. | mm | in. | mm | in. | mm | | |
| 3000/2250 | 240/208 | CF30240SS ² | - | 27 | 685.8 | 6 1/2 | 165 | 6 5/16 | 161 | 10.0 | 4.5 |
| 4000/3000 | 240/208 | CF40240SS ² | - | 38 | 965.2 | 6 1/2 | 165 | 6 5/16 | 161 | 14.3 | 6.4 |
| 6000/4500 | 240/208 | CF60240SS ² | - | 42 | 1066.8 | 9 | 228.6 | 9 | 228.6 | 40.0 | 18.2 |
| | | | | 42 | 1066.8 | 9 | 228.6 | 9 | 228.6 | 40.0 | 18.2 |

¹ Mounting brackets included. Finish: "B" for black anodized aluminum, "SS" for stainless steel.

² Indoor residential installation forbidden.



Heat coverage

| Watts | A | | B | | C | | D | | Heat coverage | |
|------------------------|---------|------|-----|------|-----|------|-----|------|---------------|-------|
| | ft. in. | m | ft. | m | ft. | m | ft. | m | sq. ft. | sq. m |
| Wall mounted | | | | | | | | | | |
| 1500W | 8' | 2.44 | 8 | 2.44 | 8 | 2.44 | 9 | 2.74 | 72 | 6.7 |
| 3000W | 8' | 2.44 | 11 | 3.35 | 10 | 3.05 | 12 | 3.66 | 120 | 11.2 |
| 4000W | 8' 2" | 2.49 | 11 | 3.35 | 10 | 3.05 | 12 | 3.66 | 140 | 13.0 |
| 6000W | 10' | 3.05 | 12 | 3.66 | 10 | 3.05 | 12 | 3.66 | 150 | 13.9 |
| Ceiling mounted | | | | | | | | | | |
| 3000W | 8' | 2.44 | 11 | 3.35 | 11 | 3.35 | 11 | 3.35 | 120 | 11.2 |
| 4000W | 8' | 2.44 | 11 | 3.35 | 12 | 3.66 | 12 | 3.66 | 140 | 13.0 |
| 6000W | 8' | 2.44 | 12 | 3.66 | 12 | 3.66 | 12 | 3.66 | 150 | 13.9 |