

ORA-J Jet Drive-Through Air Curtain



Thermoscreens

Features

Color

- Standard: white.
- Custom colors available upon request (RAL Chart).

Voltage

- 208V, 60Hz.

Construction

- Steel casing with resistant plastic end caps.
- Quick access to the internal components thanks to the front panel which facilitate maintenance and connection.
- High-limit temperature control with automatic reset.

Fan

- Tangential fans.

Heating element

- Element provides instant heat.

Control

- Fan switch On or Off.
- Heating switch low.
- Heating switch high.

Installation

- Can be wall or ceiling mounted with the provided mounting brackets.

Warranty

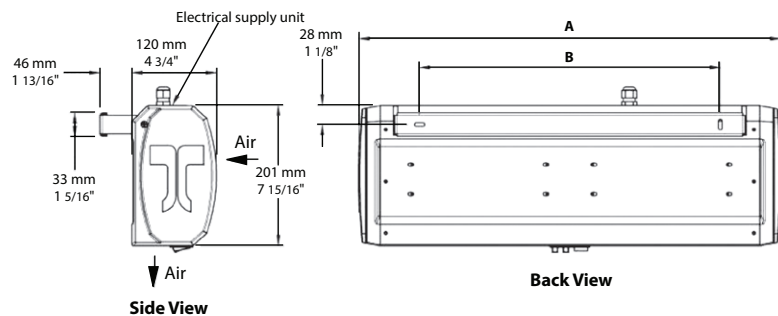
- 1-year warranty against defects.

Application

- Drive-through windows.

Models

Volts (1 ph)	Product #	kW Lo/Hi	Amp.	cfm	dB(A) at 3 m	Length		Weight	
						in.	mm	lb	kg
208	JET3HO	1.13/2.25	12	120	46.5	23 5/8	600	8.8	4.5
208	JET6	2.46/4.91	25	220	56.0	31 1/2	800	11	5.5



	A		B	
	mm	in.	mm	in.
JET 3 HO	600	23 5/8	425	16 3/4
JET 6	800	31 1/2	625	24 5/8

