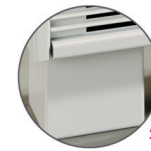
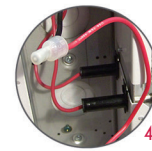
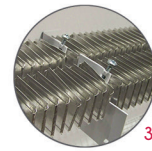
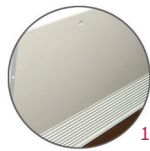


OPI Architectural Sloped Top Cabinet Convector



Features

Color

- Standard: white, almond.
- Optional: metallic silver, bronze, metallic charcoal, textured black, beige-grey, aluminum, semi-gloss black, sand.
- Custom colors available upon request.

Finish

- Standard: epoxy/polyester powder paint.

Voltage

- 208V, 240/208V, 277V, 347V, 600V, 1-phase.

Construction

- 20-gauge steel cabinet.
- 16-gauge steel front cover. **1**
- Extruded aluminum bar grilles prevent insertion of foreign objects. **2**
- Front fresh air inlet; top warm air outlet.
- Clean back available (-BD).
- Linear high-limit temperature control with automatic reset.

Heating element

- Two stainless steel tubular heating elements with aluminum fins. **3**
- Floating elements on high-temperature nylon bushings reducing expansion noises. **4**

Watt density

- Standard watt density.
- Low watt density.

Control

- Built-in tamperproof thermostat available.
- Mechanical, electronic or pneumatic relays available.

Ouellet highly recommends to use an electronic wall thermostat for greater comfort.

Installation

- Not for residential use in the United States.
- Wall or floor mounted installation.
- Mounting holes spaced on 2 in. (51 mm) intervals for ease of installation.
- Variety of accessories available for wall-to-wall installation.
- Pedestal kit or sub-base available. **5**

Warranty

- 1-year warranty against defects.

Application

- Commercial building, office building, hospital, daycare center.

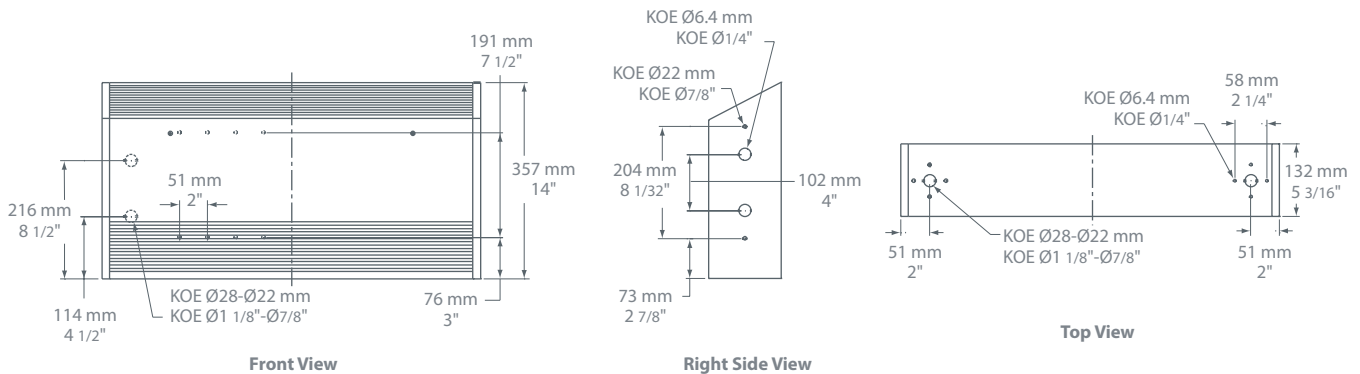
Standard Watt Density Models

Watts	Product #		Watts 240/208V	Product # 240/208V	Length		Weight	
	208V	277V			in.	mm	lb	kg
1000	OPI1008	OPI1077	1000/750	OPI1000	27 3/16	690	32.0	14.5
1500	OPI1508	OPI1577	1500/1125	OPI1500	37 3/16	944	46.0	20.9
2000	OPI2008	OPI2077	2000/1500	OPI2000	47 3/16	1198	57.0	25.9
2500	OPI2508	OPI2577	2500/1875	OPI2500	57 3/16	1452	66.0	30.0
3000	OPI3008	OPI3077	3000/2250	OPI3000	65 3/16	1655	75.0	34.1
3500	OPI3508 ¹	OPI3577	3500/2625	OPI3500	75 3/16	1909	80.0	36.3
4000	OPI4008 ¹	OPI4077	4000/3000	OPI4000 ¹	83 1/8	2112	89.0	40.5

Low Watt Density Models

Watts	Product #			Length		Weight	
	208V	240V	277V	in.	mm	lb	kg
800	OPI0808-690	OPI0800-690	OPI0877-690	27 3/16	690	32.0	14.5
1000	OPI1008-944	OPI1000-944	OPI1077-944	37 3/16	944	46.0	20.9
1500	OPI1508-1198	OPI1500-1198	OPI1577-1198	47 3/16	1198	57.0	25.9
1750	OPI1758-1452	OPI1750-1452	OPI1777-1452	57 3/16	1452	66.0	30.0
2000	OPI2008-1655	OPI2000-1655	OPI2077-1655	65 3/16	1655	75.0	34.1
2500	OPI2508-2112	OPI2500-2112	OPI2577-2112	83 1/8	2112	89.0	40.5
2750	OPI2758-2112	OPI2750-2112	OPI2777-2112	83 1/8	2112	89.0	40.5

¹ If the control option "24V electronic relay" is required, these products need two electronic relays.
 Add "BL" for white, "AM" for almond. Optional colors shown in the color chart section are available upon request.
 Other colors, accessories and finishes are available upon request. Please contact your customer service representative.
 Other voltages available upon request.
 Other low watt density models available upon request.



OPI

Options

Product # Kit	Product # Factory installed*	Description
-	BD	Clean back
KIT-OPI-CE	-	Outside corner, 8 in. (203.2 mm)
KIT-OPI-CI	-	Inside corner, 8 in. (203.2 mm)
KIT-OPI-CTR	-	Relay box, 12 in. (305 mm)
KIT-OPI-PEC	-	Square-shaped pedestal kit (2), 3 in. (76 mm)
KIT-OPI-SO-27	-	Sub-base, 27 3/16 in. (690 mm)
KIT-OPI-SO-37	-	Sub-base, 37 3/16 in. (944 mm)
KIT-OPI-SO-47	-	Sub-base, 47 3/16 in. (1198 mm)
KIT-OPI-SO-57	-	Sub-base, 57 3/16 in. (1452 mm)
KIT-OPI-SO-65	-	Sub-base, 65 3/16 in. (1655 mm)
KIT-OPI-SO-75	-	Sub-base, 75 3/16 in. (1909 mm)
KIT-OPI-SO-83	-	Sub-base, 83 1/8 in. (2112 mm)
KIT-OPI-SV-27	-	Empty cabinet, 27 3/16 in. (690 mm)
KIT-OPI-SV-37	-	Empty cabinet, 37 3/16 in. (944 mm)
KIT-OPI-SV-47	-	Empty cabinet, 47 3/16 in. (1198 mm)
KIT-OPI-SV-57	-	Empty cabinet, 57 3/16 in. (1452 mm)
KIT-OPI-SV-65	-	Empty cabinet, 65 3/16 in. (1655 mm)
KIT-OPI-SV-75	-	Empty cabinet, 75 3/16 in. (1909 mm)
KIT-OPI-SV-83	-	Empty cabinet, 83 1/8 in. (2112 mm)
-	CTT	Single-pole relay, coil 240V: 25A at 240V, 10A at 600V
-	CTT2	Double-pole relay, coil 240V: 25A at 240V, 10A at 600V
-	DIS40²	Disconnect switch, triple-pole, 40A at 600V
-	PM	Pneumatic relay, 20A at 600V
KIT-OPI-R	R	Single-pole relay, coil 24V, without transformer: 22A at 208V, 240V - 18A at 347V
KIT-OPI-R2	R2	Double-pole relay, coil 24V, without transformer: 25A at 240V - 10A at 600V
KIT-OPI-RT-208	RT	Single-pole relay, coil 24V, with transformer 208V/24V, 4500W, 22A at 208V
KIT-OPI-RT-240	RT	Single-pole relay, coil 24V, with transformer 240V/24V, 5200W, 22A at 240V
KIT-OPI-RT-277	RT	Single-pole relay, coil 24V, with transformer 277V/24V, 5200W, 19A at 277V
KIT-OPI-RT-347	RT	Single-pole relay, coil 24V, with transformer 347V/24V, 6000W, 18A at 347V
KIT-OPI-RT-600 ¹	RT¹	Single-pole relay, coil 24V, with transformer 600V/24V, 6000W, 10A at 600V (2-wire only)
KIT-OPI-T-AV	TAV	Single-pole tamperproof thermostat: 30A at 250V max. - 15A at 600V max.
KIT-OPI-T2-AV	T2AV	Double-pole tamperproof thermostat: 30A at 250V max. - 15A at 600V max.
-	TRIAC	Single-pole electronic relay, coil 24V, without transformer, 15A at 347V max.
-	TRIACT	Single-pole electronic relay, coil 24V, with transformer: 15A at 208V, 240V, 347V
-	TRIACT	Single-pole electronic relay, coil 24V, without transformer, 6A at 600V max.
-	TRF24	Transformer 24V, 50VA
-	TRF240	Transformer 240V, 50VA

* For factory installed options, add the option number to the product number. See the **Product Code** section inside the front cover.

¹ These 2-wire relays with transformer can't supply of 3-wire low voltage thermostats.

² For the U.S. only: The nominal current of the unit must not exceed 80% of the capacity of the disconnect.