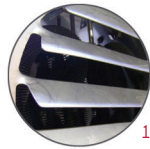


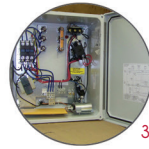
OWD Wash Down Unit Heater



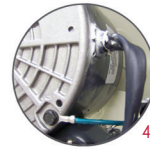
1



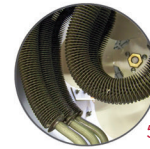
2



3



4



5

Features

Voltage

- 208V, 240V, 277V, 480V, 600V, 1 or 3-phase.

Construction

- 16-gauge, 304 stainless steel, moisture and corrosion resistant housing.*
- Adjustable, stainless steel outlet louvers. 1
- Stainless steel rear grille to protect against accidental contact with the fan blade. 2
- High-limit temperature control with automatic reset (manual reset available upon request).
- NEMA 4X non-metallic electrical enclosure. 3
- Pilot light (power-on indicator) available.
- Optional disconnect switch with lockable handle available.

Fan

- Anodized aluminum, delayed-action fan.
- Enclosed epoxy coated motor with permanently lubricated ball bearing for longer life. 4
- Epoxy-painted fan.
- Designed to resist moisture and corrosion.

Heating element

- Sealed tubular heating element with 316* stainless steel fins. 5

Control

- 24V control circuit with transformer and contactor.
- Built-in capillary thermostat available.
- Fan switch control available.

Installation

- Electrical enclosure located at bottom of unit for ease of installation and servicing.
- Stainless steel swivel mounting bracket included, for wall or ceiling mounting.

Warranty

- 1-year warranty against defects.

Application

- Food industry, marine and offshore, car wash, dairy.

*Caution: Some environments can be corrosive for this type of stainless steel. Please check the application prior to installation.

OWD Models

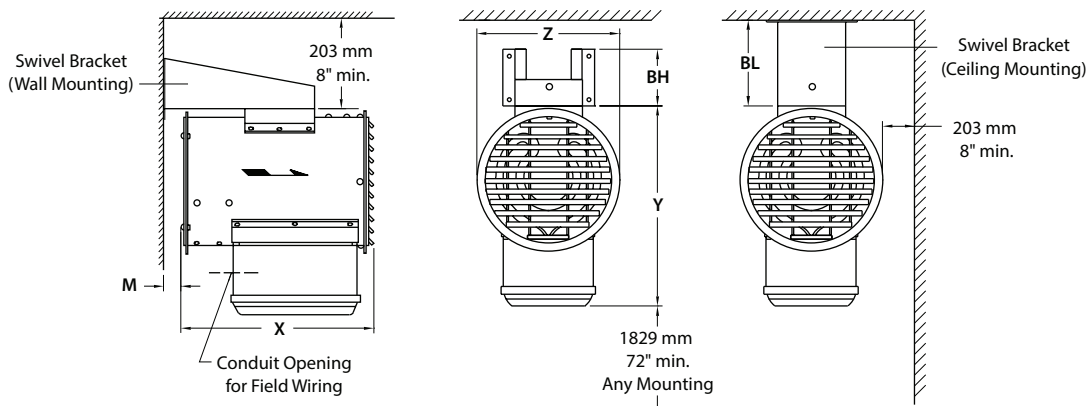
kW	BTU/Hr	Product #					cfm	Temperature Rise		Air Throw	
		208V (1 ph)	208V (3 ph)	240V (1 ph)	240V (3 ph)	480V (3 ph)		°C	°F	ft.	m
3.0	10236	OWD03008	OWD03038	OWD03000	OWD03030	OWD03034	700	8	14	26	8
5.0	17060	OWD05008	OWD05038	OWD05000	OWD05030	OWD05034	700	13	24	26	8
7.5	25590	OWD07508	OWD07538	OWD07500	OWD07530	OWD07534	700	19	35	26	8
9.0	30708	OWD09008	OWD09038	OWD09000	OWD09030	OWD09034	1450	11	20	43	13
10.0	34120	-	OWD10038	OWD10000	OWD10030	OWD10034	1450	12	22	43	13
12.0	40944	-	OWD12038	-	OWD12030	OWD12034	1450	14	26	43	13
12.5	42650	-	OWD12538	-	OWD12530	OWD12534	2400	9	17	50	15
15.0	51180	-	OWD15038	-	OWD15030	OWD15034	2400	12	21	50	15
20.0	68240	-	-	-	-	OWD20034	2400	16	28	50	15
25.0	85300	-	-	-	-	OWD25034	2400	19	35	50	15
30.0	102360	-	-	-	-	OWD30034	2400	23	42	50	15
35.0	119420	-	-	-	-	OWD35034	2400	27	48	50	15
38.4	131020	-	-	-	-	OWD38434	2400	30	54	50	15

Options

Product # Kit	Product # Factory installed*	Description
-	120	120V control circuit
-	EP	Epoxy paint finish for better corrosion resistance in certain environments
-	I ¹	Disconnect switch with lockable handle available
-	L	Pilot light "power-on indicator"
-	ME1	Monel elements, for 3 to 20kW units for better corrosion resistance in certain environments
-	ME2	Monel elements, for 25 to 38.4kW units for better corrosion resistance in certain environments
-	PTM	High-limit temperature control with manual reset
-	S	Three-position switch: On/Standby/Fan
-	T	Thermostat
-	T2S	2-stage thermostat
OWD-TM	-	NEMA 4X wall thermostat, range 4 °C to 43 °C (40 °F to 110 °F): 25A at 120V, 208V, 240V - 22A at 277V (Compatible with 24VAC control circuit)

* For factory installed options, add the option number to the product number. See the **Product Code** section inside the front cover.

¹ For the U.S. only: The nominal current of the unit must not exceed 80% of the capacity of the disconnect.
277V available upon request.



Models	X		Y		Z		BH		BL		M		Weight ¹	
	mm	in.	mm	in.	mm	in.	mm	in.	mm	in.	mm	in.	lb	kg
3 to 7.5kW	390	15 1/2	550	21 1/2	330	13	110	4 1/4	490	19 1/8	220	8 1/2	70	32
7.6 to 12kW	390	15 1/2	550	21 1/2	330	13	110	4 1/4	490	19 1/8	220	8 1/2	70	32
12.1 to 47kW	660	26	710	28	510	20	180	7 1/8	570	22 1/4	80	3 1/4	130	60

¹ Shipping weight.